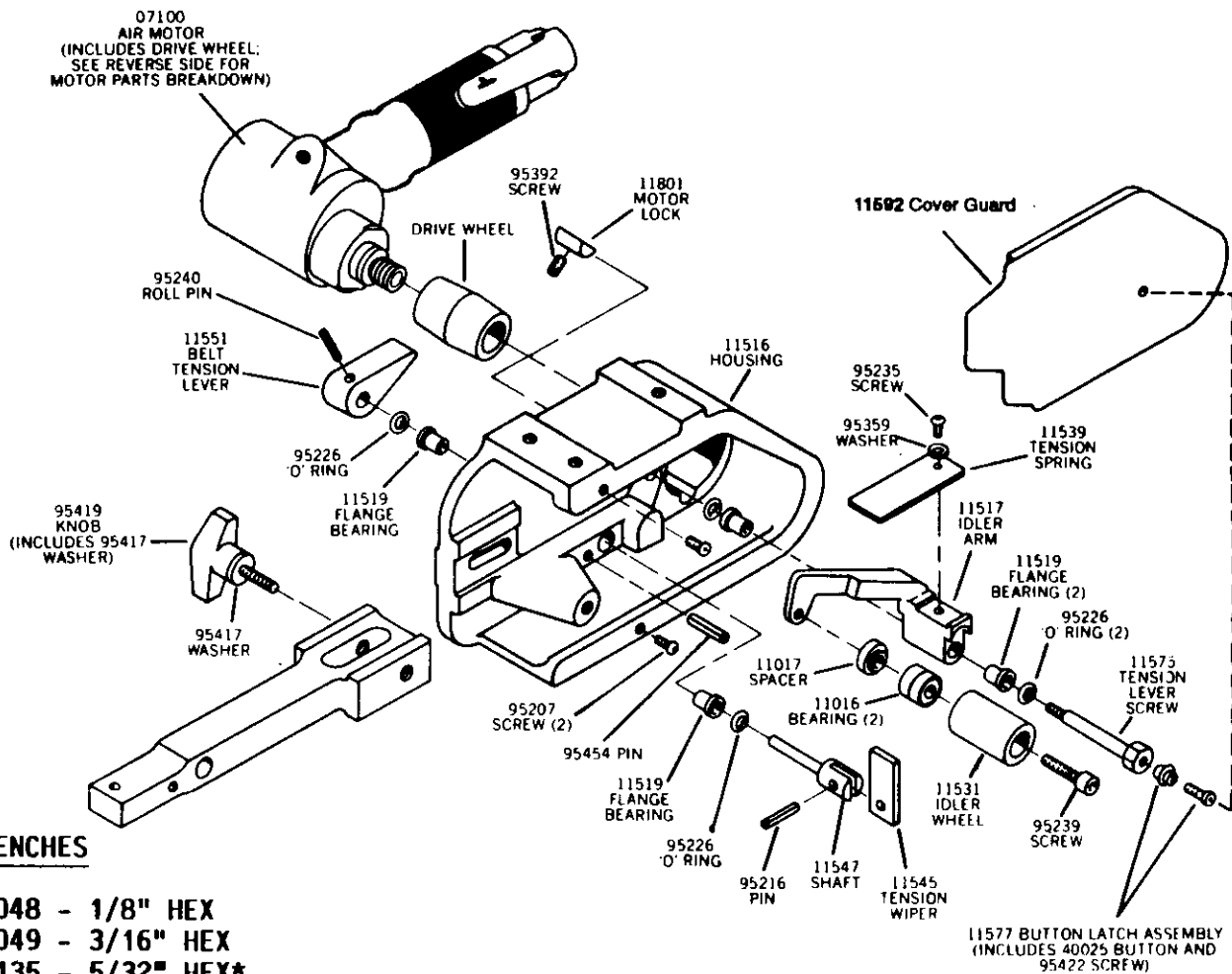


Dynabelter® Accu-Grinder®**1" WIDE ABRASIVE BELT CAPACITY WITH HEAVY-DUTY AIR MOTOR
PARTS**

EFFECTIVE DECEMBER, 1990

MODELS: 11486 — With Adjust-A-Wheel™ Contact Arm Assembly
11489 — With Hula-Guide™ Contact Arm Assembly
11493 — With Fixed Guide Wheels Contact Arm Assembly

**WRENCHES**

95048 - 1/8" HEX
95049 - 3/16" HEX
95135 - 5/32" HEX*

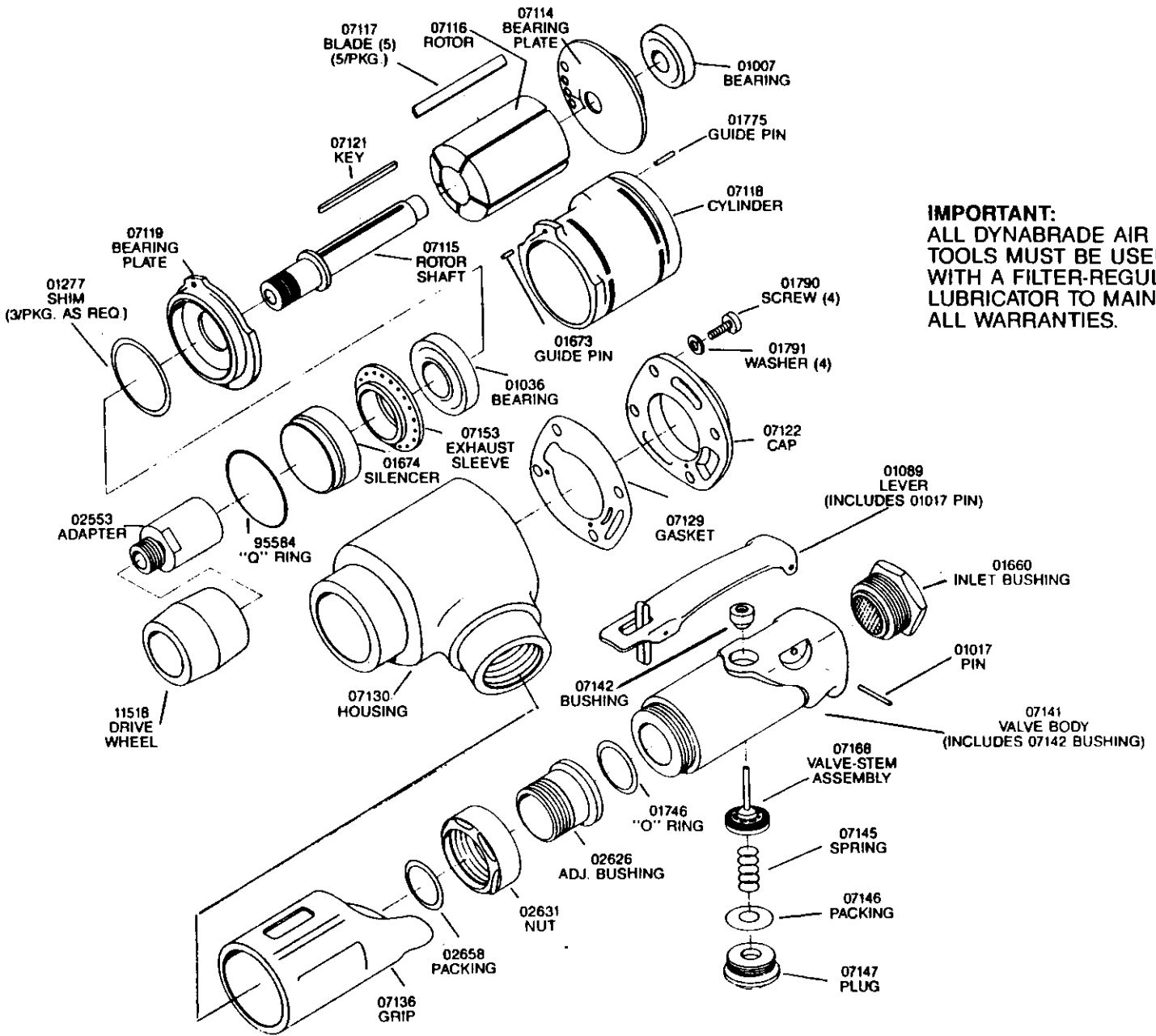
***95135 WRENCH NOT INCLUDED WITH MODEL 11486.**

SEE REVERSE SIDE FOR BASIC MOTOR ASSEMBLY.

**IMPORTANT: ALL DYNABRADE AIR TOOLS MUST BE USED WITH
 A FILTER-REGULATOR-LUBRICATOR TO MAINTAIN ALL WARRANTIES.**

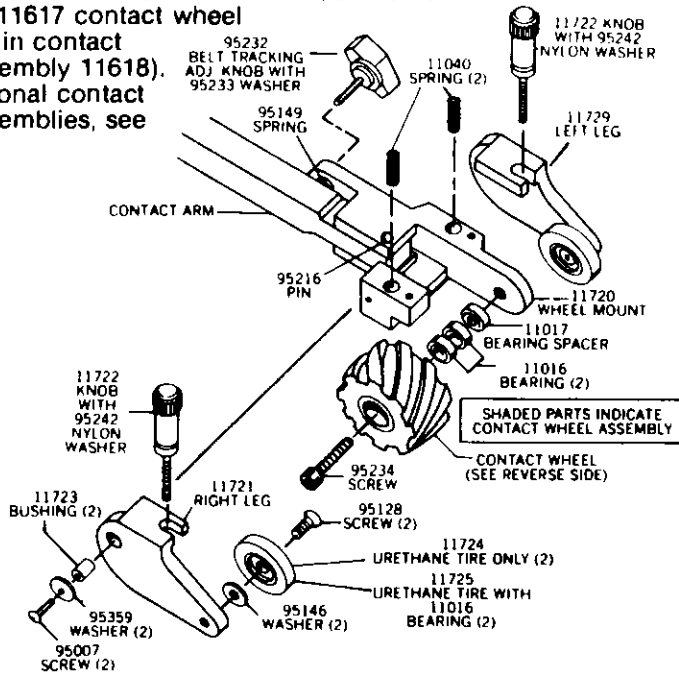
TO ORDER REPLACEMENT PARTS SPECIFY THE MODEL AND SERIAL NUMBER OF YOUR MACHINE.

**HEAVY-DUTY
AIR MOTOR
07100
POWERS MODEL 11476
DYNABELTER®
(INCLUDES
11518 DRIVE WHEEL)**



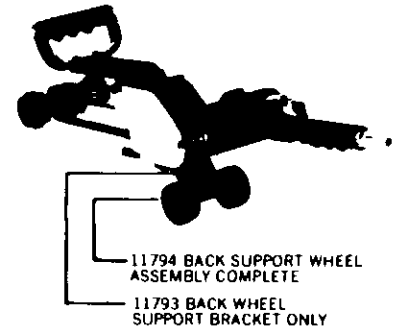
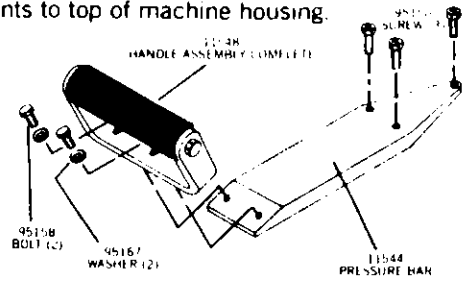
IMPORTANT:
ALL DYNABRADE AIR
TOOLS MUST BE USED
WITH A FILTER-REGULATOR-
LUBRICATOR TO MAINTAIN
ALL WARRANTIES.

11717 Adjust-A-Wheel™ contact arm assembly with 1" wide x 2" diameter, 90 durometer, standard serrated 11617 contact wheel (included in contact wheel assembly 11618). For additional contact wheel assemblies, see below.



11705 PRESSURE BAR ASSEMBLY

Mounts to top of machine housing.



11890 HULA-GUIDE™ contact arm assembly and 11842 fixed guide wheels contact arm assembly not shown.

CONTACT WHEELS

A 90-DUROMETER STANDARD SERRATED URETHANE CONTACT WHEEL IS MOUNTED ON ALL ACCU-GRINDER MODELS FOR AGGRESSIVE GRINDING PURPOSES. SINCE APPLICATIONS VARY, DYNABRADE CONTACT WHEELS OF DIFFERENT DUROMETER MAY BE SUBSTITUTED. HIGHER NUMBER DUROMETER INDICATES A HARDER WHEEL FOR MORE AGGRESSIVE CUT. SCOOP SERRATION ALSO PRODUCES A MORE AGGRESSIVE CUT THAN STANDARD SERRATION.

1" WIDE x 2" DIAMETER URETHANE CONTACT WHEEL ASSEMBLIES

Durometer	Wheel Serration	Color	Part Numbers	
			Assem- bly	Contact Wheel Only
90	Scoop	Amber	11614	11613
90	Standard	Amber	11618	11617
80	Standard	Blue	11652	11651
70	Standard	Green	11650	11649
60	Standard	Red	11648	11647

1" WIDE x 30" LONG COATED ABRASIVE BELTS & NON-WOVEN NYLON BELTS UNIT = 200 BELTS

Grit	Part No.	Grit	Part No.
Alumina Zirconia		Ceramic Coated Aluminum Oxide	
36	90506	36	91146
60	90508	60	91147
80	90518	80	91148
Aluminum Oxide		Non-Woven Nylon	
36	90507	VF	90401
60	90509	M	90437
80	90510	C	90444
120	90511	VF - Very Fine M - Medium C - Coarse	
180	90512		
220	90513		
320	90514		
500	90516		

ALL ABRASIVE PRODUCTS AND FILES ARE ASSORTABLE IN COMPLETE UNIT QUANTITIES FOR BEST PRICE.

Important Operating, Maintenance and Safety Instructions

Carefully read all instructions before operating or servicing any Dynabrade® Abrasive Power Tool.

Warning: Hand, wrist and arm injury may result from repetitive work motion and overexposure to vibration.

Operating Instructions:

Warning: Eye, face and body protection must be worn while operating power tools. Failure to do so may result in serious injury or death. Follow safety procedures posted in workplace.

1. With power source disconnected from tool, securely position abrasive belt on tool (see abrasive belt/contact arm change instructions).
2. Connect power source to tool. Be careful not to depress throttle lever in the process.
3. Check tool speed with tachometer. If tool is operating at a higher speed than the RPM marked on the tool or operating improperly, the tool should be serviced to correct the cause before use.
4. Always work off the return side of the abrasive belt. This will ensure superior tracking and less down time of machine.

Abrasive Belt/Contact Arm Change Instructions:

To Change Belt:

1. Disconnect power source.
2. Remove 11592 Cover Guard.
3. Release 11551 Belt Tension Lever.
4. Pull belt backwards and to the left until belt is released from drive wheel.
5. Reverse process for applying new belt.
6. Connect power source.
7. Depress throttle lever to start motor and belt rotation.
8. Adjust belt tracking by turning 95232 Belt Tracking Knob on contact arm assembly to the left or right accordingly.

To Change Contact Arm Assembly:

1. Disconnect power source.
2. Remove 11592 Cover Guard.
3. Remove abrasive belt (see instructions).
4. Remove 95419 Rough Adjustment Knob.
5. Remove Contact Arm and replace with desired contact arm.
6. Replace 95419 Knob. Do not tighten knob at this point.
7. Replace abrasive belt.
8. With abrasive belt in proper position, push contact arm assembly forward until the contact wheel is tight against abrasive belt.
9. Tighten 95419 Knob.
10. Replace 11592 Cover Guard.
11. Reset 11551 Belt Tension Lever.
12. Connect power source and depress throttle lever to start motor and abrasive belt rotation.
13. Adjust belt tracking by turning 95232 Belt Tracking Knob on contact arm assembly to the left or right accordingly.

Maintenance Instructions:

Products offered by Dynabrade should not be converted or otherwise altered from original design without expressed written consent from Dynabrade, Inc. All Dynabrade air tools must be used with a filter-regulator-lubricator to maintain all warranties.

1. Check tool speed regularly with a tachometer. If tool is operating at a higher speed than the RPM marked on the tool, the tool should be serviced to correct the cause before use.
2. Some silencers on air tools may clog with use. Clean and replace as required.
3. All Dynabrade air motors should be lubricated with two drops of Dynabrade Air Lube (P/N 95842: 1pt. 473ml.) every four hours of use.
4. An air line filter-regulator-lubricator must be used with this air tool to maintain all warranties. Dynabrade recommends the following:
11299 Air Line Filter- Regulator-Lubricator — Provides accurate air pressure regulation, two-stage filtration of water contaminant's and micro-mist lubrication of pneumatic components. Operates 100 CFM @ 90 PSI has 1/2" NPT female ports.

Safety Instructions:

- **Important:** User of tool is responsible for following accepted safety codes such as those published by the American National Standards Institute (ANSI).
- **Warning:** Eye, face and body protection must be worn when operating power tools. Failure to do so may result in serious injury or death.
- Products offered by Dynabrade should not be converted or otherwise altered from original design without the expressed written consent of Dynabrade, Inc..
- Tool RPM rating must never exceed abrasive/accessory RPM rating, regardless of tools capacity.
- Operate machine for one minute before application to workpiece to determine if machine is working properly and safely before work begins.
- Always use proper guards. Make sure guards are in proper position, secure and in good repair.
- Always disconnect power supply before changing abrasive or making machine adjustments.
- Inspect abrasives for damage or defects prior to installation on tools. Make sure belts are mounted properly; check for proper tension and belt tracking.
- Please refer to Dynabrade's Warning/Safety Operating Instructions Tag (Reorder No. 95903) for more complete safety information.

