

PARTS PAGE REORDER NO. DY 4-85
EFFECTIVE 4-85

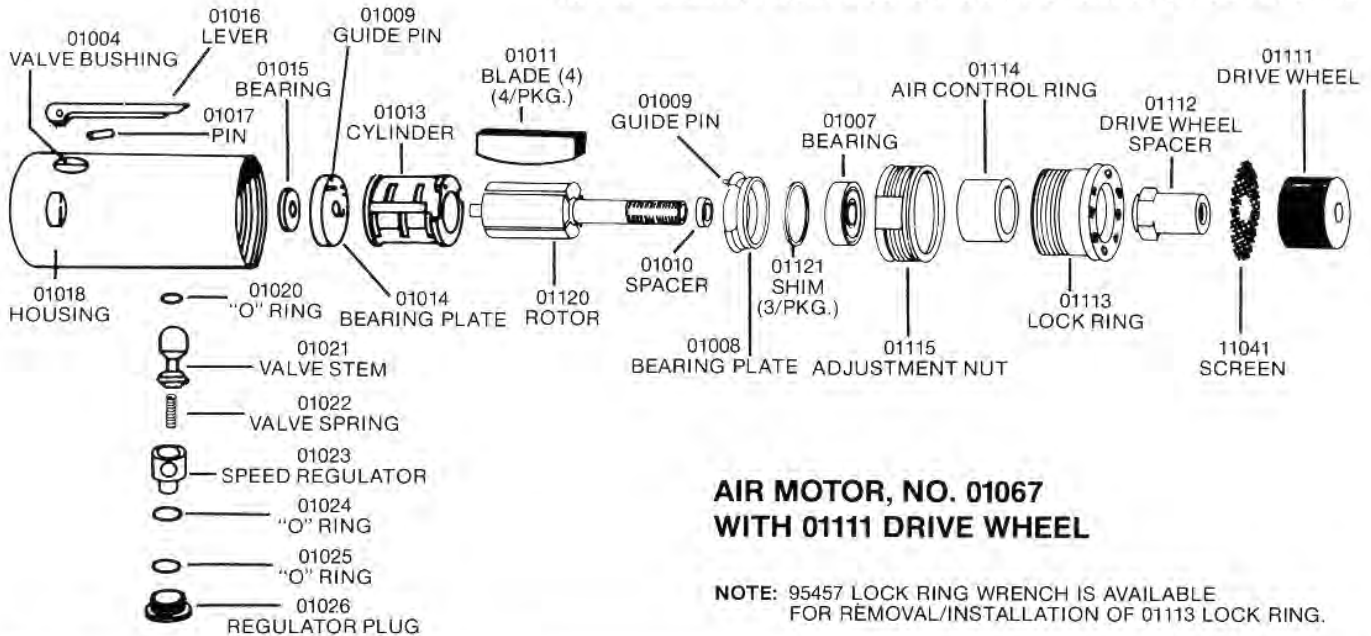
Manufacturer's DC No. 116026

Dynafile®

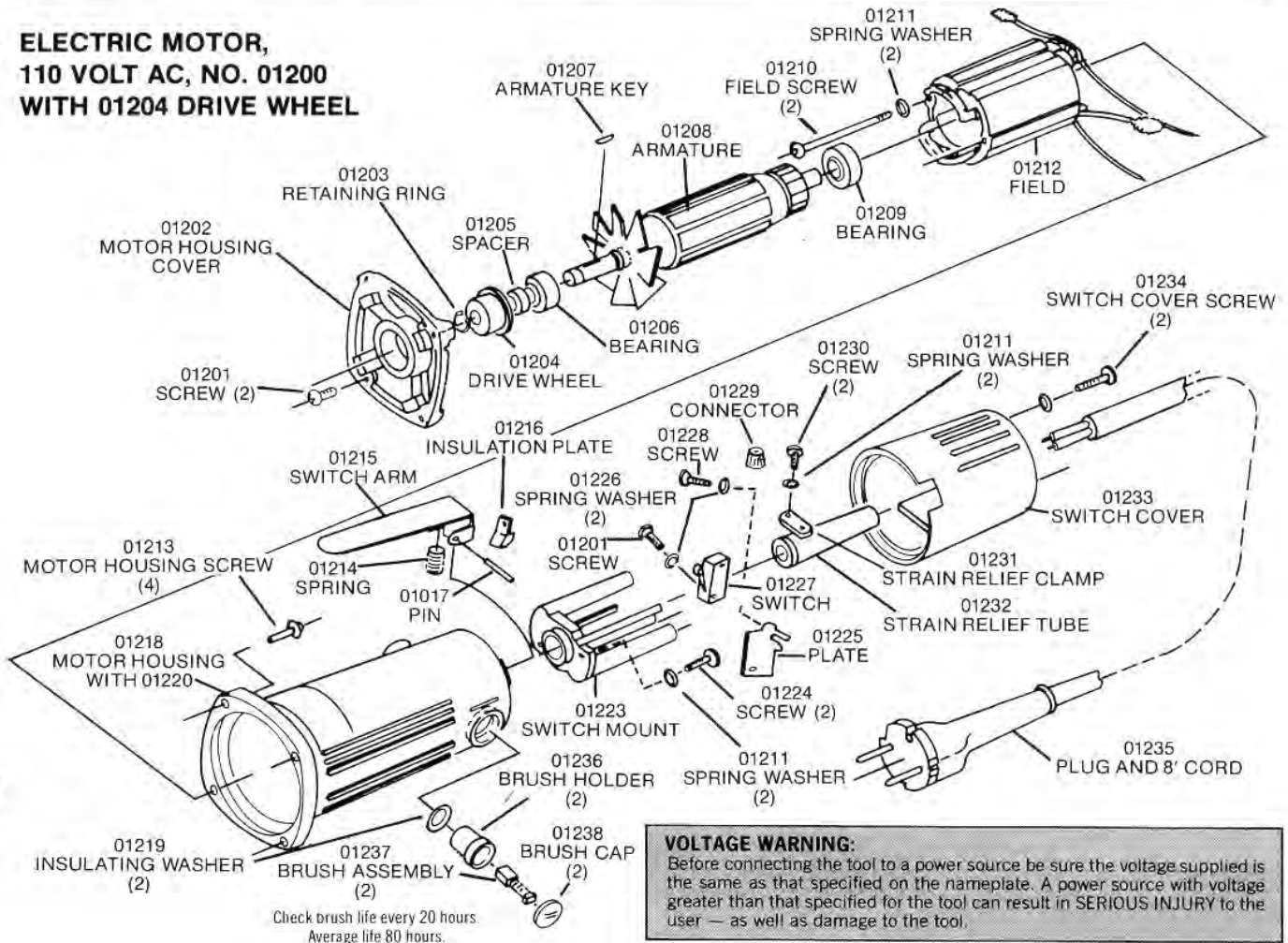
PORTABLE ABRASIVE BELT MACHINE

PARTS

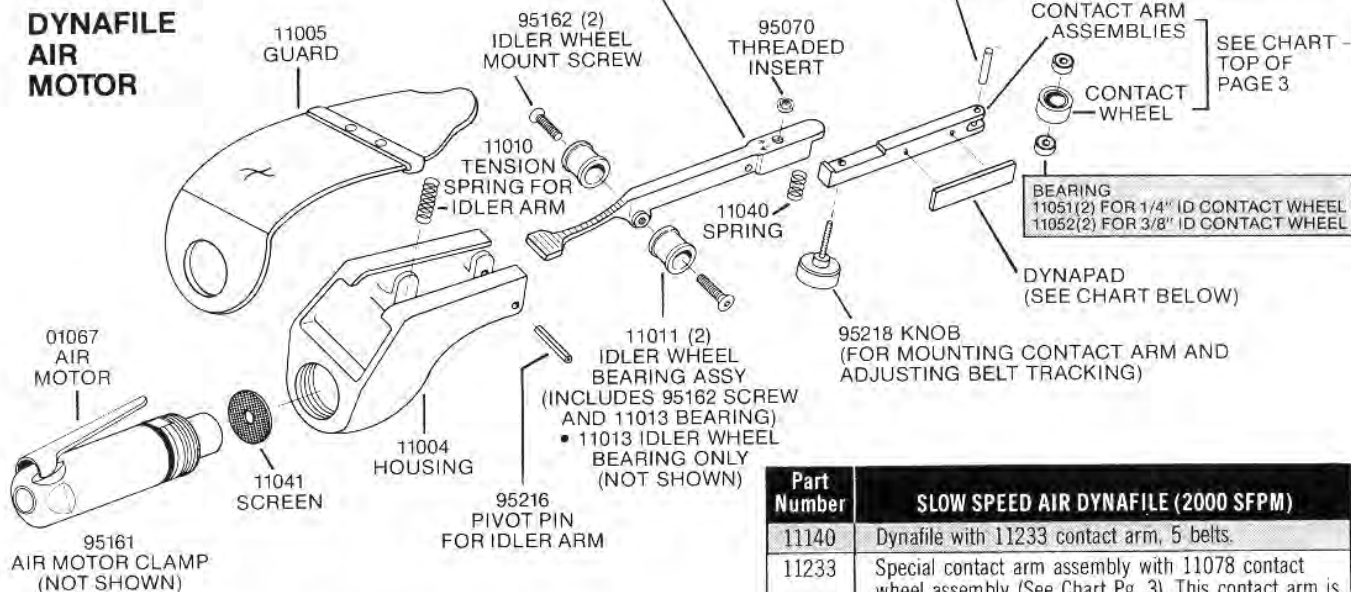
TO ORDER PARTS, SPECIFY MODEL AND SERIAL NUMBER OF YOUR MACHINE



ELECTRIC MOTOR, 110 VOLT AC, NO. 01200 WITH 01204 DRIVE WHEEL



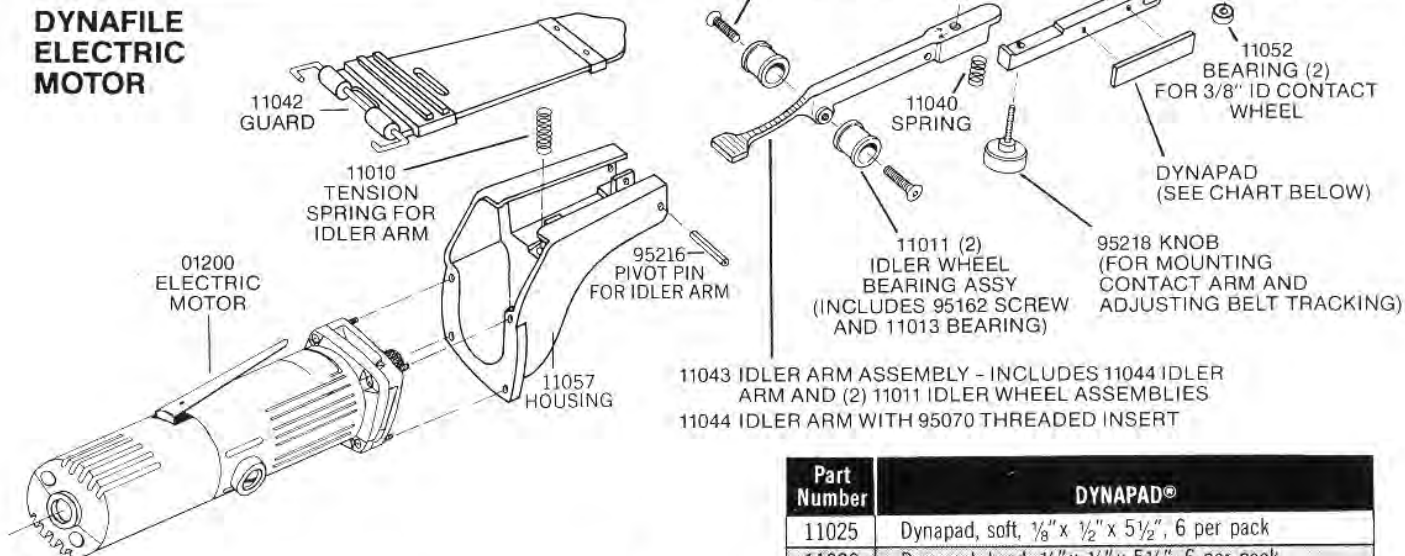
DYNAFILE AIR MOTOR



Part Number	COMPLETE AIR POWERED DYNAFILE
11000	Dynafire with 11218 contact arm, 5 belts.
11001	Versatility Kit with Dynafire, carrying case, 11213, 11216, 11218, 11219, 11231 contact arms, six belts.
11002	Carrying case

Part Number	SLOW SPEED AIR DYNAFILE (2000 SFPM)
11140	Dynafire with 11233 contact arm, 5 belts.
11233	Special contact arm assembly with 11078 contact wheel assembly (See Chart Pg. 3). This contact arm is of modified length and the only one compatible with the 11140 Dynafire. Uses 1/2" x 24" abrasive belts.
11045	Special Slow-speed Drive Wheel for Air Motor.

DYNAFILE ELECTRIC MOTOR



Part Number	COMPLETE ELECTRIC POWERED DYNAFILE
11020	Dynafire with 11218 contact arm, 5 belts.
11021	Versatility Kit with Dynafire, carrying case, 11215, 11216, 11218, 11219, 11231 contact arms, 7 belts
11022	Carrying case

Part Number	DYNAPAD®
11025	Dynapad, soft, 1/8" x 1/2" x 5 1/2", 6 per pack
11026	Dynapad, hard, 1/8" x 1/2" x 5 1/2", 6 per pack
11027	Dynapad, 1/32" x 1/2" x 5 1/2", 6 per pack
11028	Dynapad, metal, fits 11228, contact arm
11032	Dynapad, soft, 1/8" x 1/4" x 1 3/8", 24 per pack
11033	Dynapad, hard, 1/8" x 1/4" x 1 3/8", 24 per pack
11034	Dynapad, 1/32" x 1/4" x 1 3/8", 24 per pack

Non-metal Dynapad easily trimmed to desired size

CONTACT WHEELS/CONTACT WHEELS WITH BEARINGS/CONTACT ARM ASSEMBLIES										
Wheel ID	1/4"	1/4"	1/4"	3/8"	3/8"	3/8"	3/8"	3/8"	3/8"	3/8"
Wheel OD	5/16"	5/16"	7/16"	7/16"	5/8"	1/2"	5/8"	1"	3/4"	1"
Wheel Width	1/8"	3/8"	3/8"	1/8"	1/8"	3/8"	3/8"	3/8"	1/2"	3/8"
Coating	Steel	Steel	Rubber	Steel	Rubber	Steel	Rubber	Rubber	Rubber	Urethane
PART NUMBERS										
Wheel Only	*11065	*11067	*11069	11071	11073	11075	11077	11079 Radiused	11083	11085 "V" 60° Angle
Wheel with bearing & shaft	*11066	*11068	*11070	11072	11074	11076	11078	11080 Radiused	11084	11086 "V" 60° Angle
Contact arm assembly 24" belts	*11212	*11213	*11214	11215	11216	11217	11218	11219 Radiused	11231	11232 "V" 60° Angle

*not suggested for electric model

*11239
Heavy-duty arm

11228
Heavy-duty arm

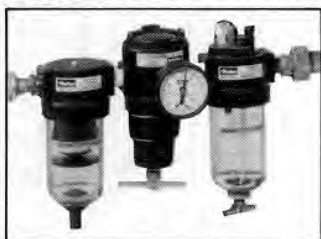
The following contact arms may be substituted on a DYNABRADE at no extra charge: 11213, 11214, 11215, 11216, 11217, 11219, 11231

DYNABRADE ABRASIVE BELTS		
Part Number	Size	Grit
NON-WOVEN NYLON/UNIT = 15		
*90400	1/2" x 24"	very fine
*90403	1/4" x 24"	very fine
*90433	1/4" x 24"	medium
*90434	1/2" x 24"	medium
*90460	1/4" x 24"	coarse
*90461	1/2" x 24"	coarse
ALUMINUM OXIDE/UNIT = 200		
90405	1/8" x 24"	60
90407	1/8" x 24"	80
90408	1/8" x 24"	100
90409	1/8" x 24"	120
90410	1/8" x 24"	180
90411	1/8" x 24"	220
90412	1/8" x 24"	320
90413	1/8" x 24"	500
90415	1/4" x 24"	40
90417	1/4" x 24"	60
90419	1/4" x 24"	80
90420	1/4" x 24"	100
90421	1/4" x 24"	120
90423	1/4" x 24"	180
90424	1/4" x 24"	220
90425	1/4" x 24"	320
90426	1/4" x 24"	500
90441	1/2" x 24"	40
90443	1/2" x 24"	60
90445	1/2" x 24"	80
90446	1/2" x 24"	100
90447	1/2" x 24"	120
90449	1/2" x 24"	180
90451	1/2" x 24"	220
90453	1/2" x 24"	320
90455	1/2" x 24"	500
90475	1/4" x 34"	60
90477	1/4" x 34"	80
90479	1/4" x 34"	120
90495	1/2" x 34"	60
90497	1/2" x 34"	80
90499	1/2" x 34"	120
90525	1/4" x 44"	60
90527	1/4" x 44"	80
90529	1/4" x 44"	120
90545	1/2" x 44"	60
90547	1/2" x 44"	80
90549	1/2" x 44"	120
SILICON CARBIDE/UNIT = 200		
90563	1/4" x 24"	60
90564	1/4" x 24"	80
90567	1/2" x 24"	60
90568	1/2" x 24"	80
ALUMINA ZIRCONIA/UNIT = 200		
90577	1/4" x 24"	60
90579	1/2" x 24"	60
90582	1/4" x 24"	80
90583	1/2" x 24"	80
CLOTH POLISHING BELTS UNIT = 25		
Part No.	Size	
90010	1/2" x 24"	

*not suggested for electric model
All abrasive products and files are assortable in complete unit quantities for best price.

Dynabrade® accessories

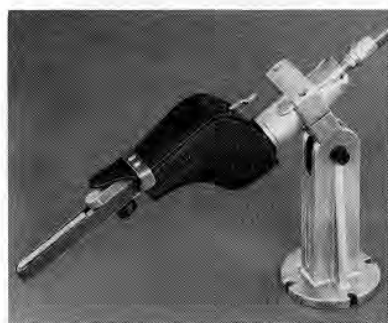
11289 AIR LINE FILTER-REGULATOR-LUBRICATOR



PROVIDES ACCURATE AIR PRESSURE REGULATION, 2-STAGE FILTRATION OF WATER/CONTAMINANTS, AND MICRO-MIST LUBRICATION OF PNEUMATIC COMPONENTS.

- 150 PSI AT 125° F OR LESS.
- 3/8" FEMALE N.P.T. PORTS.

IMPORTANT: ALL DYNABRADE AIR TOOLS MUST BE USED WITH A FILTER-REGULATOR-LUBRICATOR TO MAINTAIN ALL WARRANTIES.



80016 BENCH MOUNT ASSEMBLY

- Versatile Bench Mount permits mounting of many air tools, including the Air Dynabrade.
- Tools with motor diameters of up to 1 3/4" may be mounted.
- Tool may be mounted in virtually any desired position.



80015 FOOT PEDAL AND HOSE ASSEMBLY

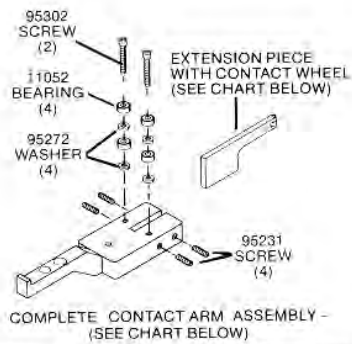
- Connects to bench-mounted air tool.
- Power is switched on/off by foot allowing two-hand control of the workpiece.

11291 Foot Pedal only.

11292 Hose Assembly only. Includes 8' of 3/8" I.D. x 11/16" O.D. air hose with two 1/4" N.P.T. male fittings.

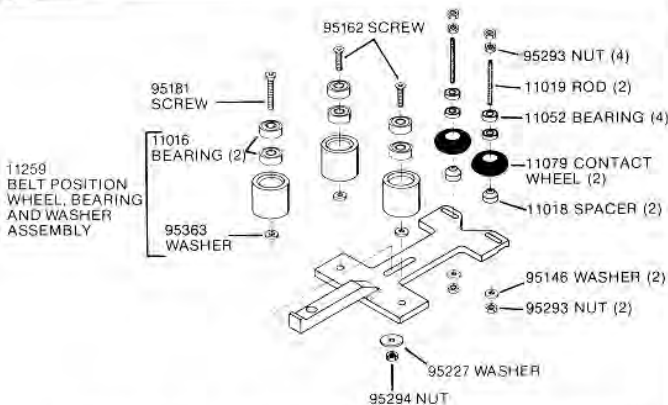
ACCESSORIES CONTINUED

Dynafile® accessories

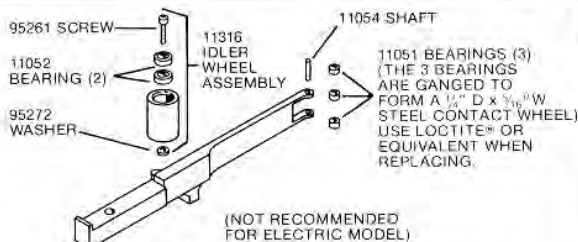


Description	Belts	1/8" OD Contact Wheel	3/16" OD Contact Wheel
Extension piece with contact wheel	1/2" x 24" 1/4" x 30"	11061 11063	11062 11064
Complete contact arm assembly	1/2" x 24" 1/4" x 30"	11210 11246	11211 11247

MINI CONTACT ARM ASSEMBLY



11234 DOUBLE BURRER ARM, 1/2" x 34" BELTS CONTACT WHEELS 1" OD x 3/8" WIDE, RUBBER RADIUS



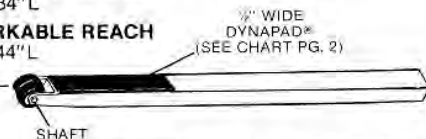
11238 ARM, 1/2" x 24" BELTS FOR POLISHING TURBINE BLADES AND CONTOURS

EXTRA LENGTH CONTACT ARMS

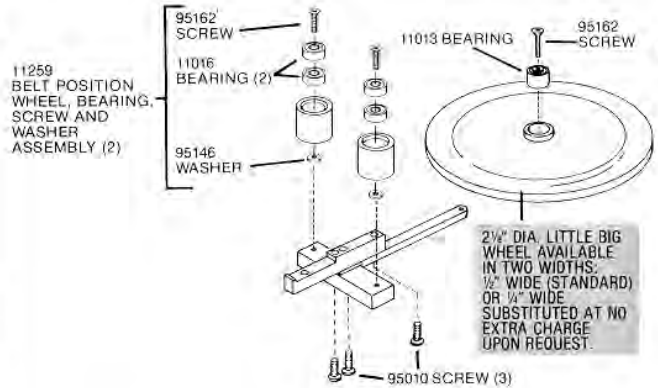
11240 — 9" WORKABLE REACH
Belt Size: 1/2"W x 34"L

11244 — 14" WORKABLE REACH
Belt Size: 1/2"W x 44"L

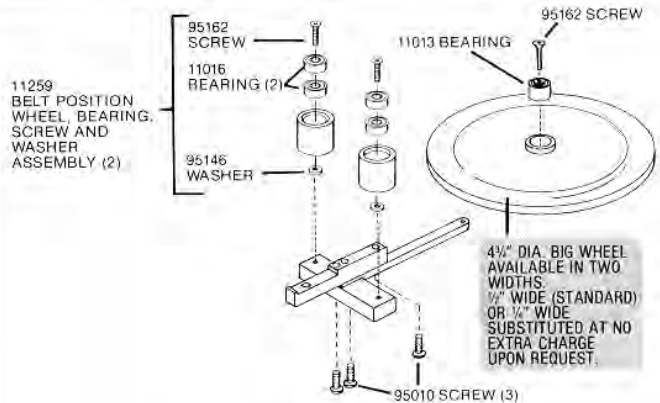
RUBBER CONTACT WHEEL
(1/2"W x 3/8" Diam.)



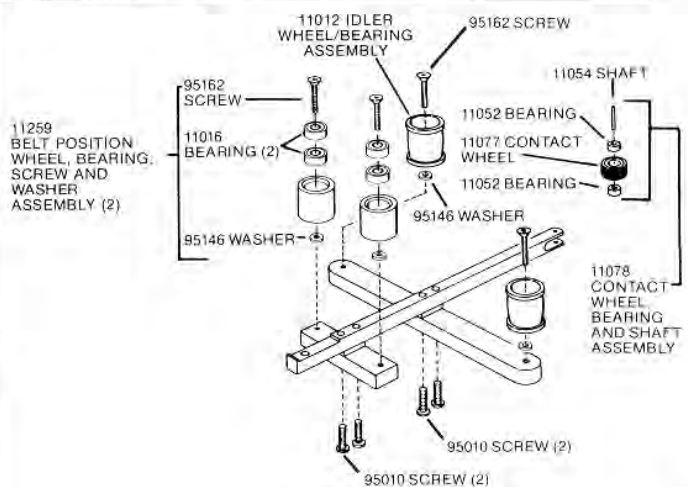
PART NUMBERS FOR 11240 and 11244 CONTACT ARMS	
11052	Bearing (2 Required)
11054	Shaft
11077	Contact Wheel Only
11078	Contact wheel with bearings and shaft.



11253 LITTLE BIG WHEEL ARM, 34" BELTS 2 1/2" CONTACT WHEEL DIAMETER, SPECIFY WIDTH: 1/4" OR 1/2"

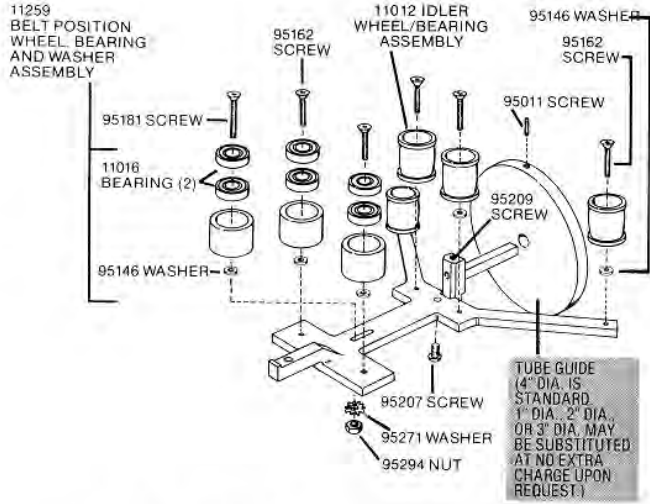


11254 BIG WHEEL ARM, 34" BELTS 4" CONTACT WHEEL DIAMETER, SPECIFY WIDTH: 1/4" OR 1/2"

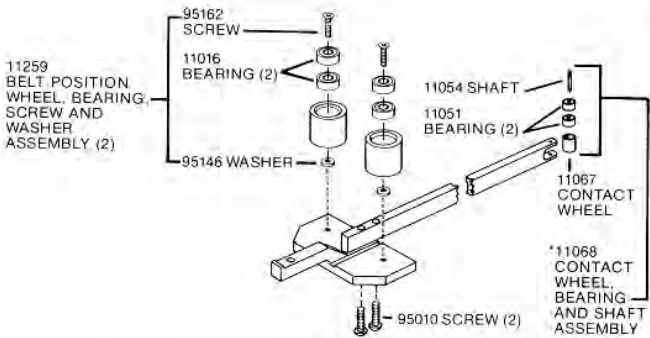


11255 CROSSBOW ARM, 1/2" x 34" BELTS (NOT RECOMMENDED FOR ELECTRIC MODEL)

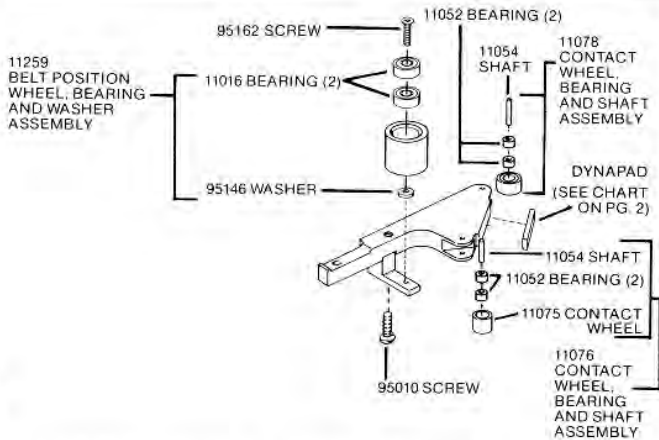
Dynafile® accessories



11256 SLINGSHOT ARM, 1/2" x 44" BELTS
 TUBE GUIDE, SPECIFY DIAMETER: 1", 2", 3" OR 4"
 (NOT RECOMMENDED FOR ELECTRIC MODEL)



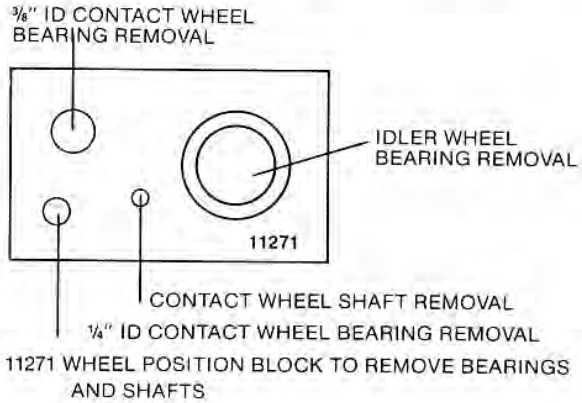
11257 SPEAR ARM - SPECIFY LENGTH UP TO 36"
 *11078 CONTACT WHEEL ASSEMBLY MAY BE SUBSTITUTED
 (SEE CHART, PAGE 3).
 (NOT RECOMMENDED FOR ELECTRIC MODEL)



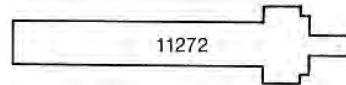
11258 STROKE SANDER ARM, 1/2" x 24" BELTS

11270 DYNAFILE REPAIR KIT

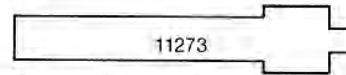
Contains special tools, wrench and adhesive to repair a DYNAFILE



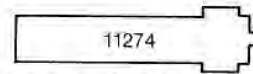
11271 WHEEL POSITION BLOCK TO REMOVE BEARINGS AND SHAFTS



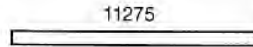
BEARING MOUNT TOOL FOR IDLER WHEEL



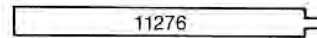
BEARING REMOVAL TOOL FOR IDLER WHEEL



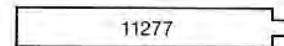
BEARING MOUNT TOOL FOR ALL CONTACT WHEELS



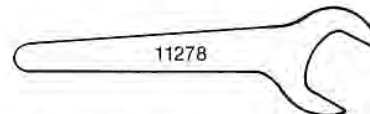
SHAFT REMOVAL TOOL FOR ALL CONTACT WHEELS



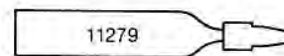
BEARING REMOVAL TOOL FOR 1/4" ID CONTACT WHEEL



BEARING REMOVAL TOOL FOR 3/8" ID CONTACT WHEEL



AIR MOTOR MOUNT AND REMOVAL WRENCH
 (NOT NEEDED FOR ELECTRIC MODEL)



CONTACT WHEEL PIN ADHESIVE

OPERATING AND MAINTENANCE INSTRUCTIONS

GENERAL INSTRUCTIONS

- For Air Dynafile®:

Use as little air pressure as possible for contact wheels with smaller than 3/8" ID. Do not exceed 45 PSI.

Use maximum of 90 lbs. line pressure with 3/8" ID contact wheels.

A filter-regulator-lubricator similar to Dynabrade's No. 11289 must be used for satisfactory motor life and efficiency. A high grade S.A.E. No. 5 spindle oil is recommended.

- The metal Dynapad® is used on the 11228 contact arm. The thicker portion should be mounted toward the rear of the machine.
- To remove the idler arm from the motor housing, drive the rocker/mount pin through the housing with a drift pin 7/64" in diameter.
- For best maintenance and ease of operation, use repair kit No. 11270 for the Dynafile.

- To order replacement parts, specify model and serial numbers of your machine.

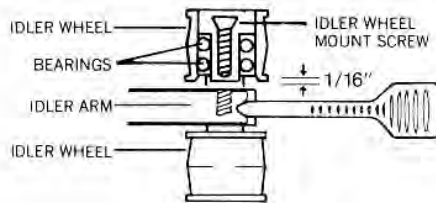
Use only Dynabrade built accessories made especially for the tool in use.

WARNING: FACE AND EYE PROTECTION MUST BE WORN WHILE OPERATING POWER TOOLS. The use of any other accessories not specified in this manual could create a hazard.

After each use: Disconnect power source. Clean deposits of dust and dirt from around the air vents and wipe machine clean to prevent deterioration from oil and grease.

CAUTION: Certain cleaning agents and solvents can damage plastic parts. Some of these are: gasoline, carbon tetrachloride, chlorinated cleaning solvents, ammonia and household detergents that contain ammonia. Avoid use of these and other types of cleaning agents.

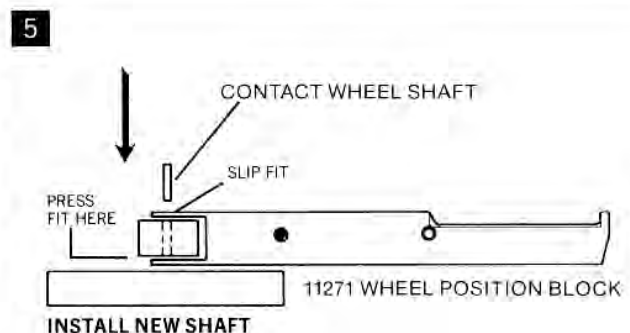
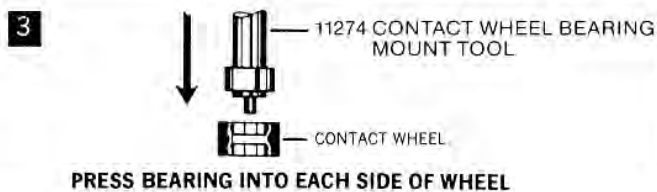
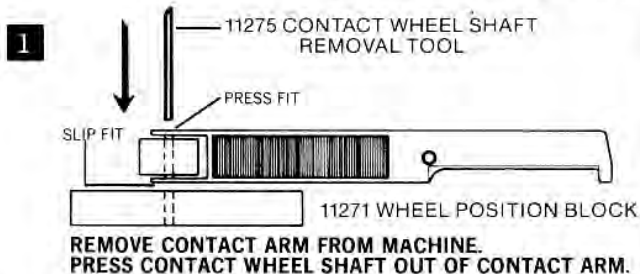
IDLER WHEEL BEARING CHANGE



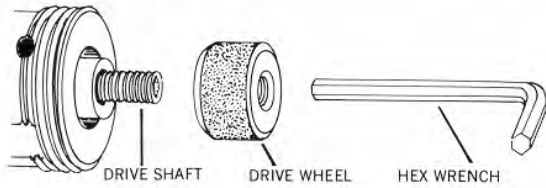
- Bearings should be press fit into the idler wheel and recessed 1/16th of an inch.
- Apply a small amount of Loctite® 242 Adhesive or equivalent to the threads of the idler wheel screw.
- Caution should be exercised not to overtighten the idler wheel screw when mounting on the Dynafile.

LOCTITE® IS A REGISTERED TRADEMARK OF LOCTITE CORP.

CONTACT WHEEL AND CONTACT WHEEL BEARING CHANGE



DRIVE WHEEL CHANGE



1. Slip hex wrench through the drive wheel into the end of the drive shaft to keep the shaft from revolving.
2. Using a wrench or a pliers, twist the drive wheel counter-clockwise and remove.
3. Mount new drive wheel.

ABRASIVE BELT CHANGE



Form a loop in belt keeping the belt splice between fingers as shown in photo above. Slip lower loop of belt under the drive wheel.



Depress idler arm lever and pull belt toward the contact wheel.



Slip belt over contact wheel. Release idler arm lever. Operate on the contact wheel or on the return side of the belt.

STANDARD WARRANTY

Following the reasonable assumption that any inherent defect which might prevail in a product will become apparent to the user within three months from the date of purchase, all equipment of our manufacture is warranted against defects in workmanship and materials under normal use and service. We will repair or replace at our factory any equipment or part thereof which shall within 90 days after delivery to the original purchaser indicate upon examination to have been defective.

Our obligation is contingent upon proper use in accordance with factory recommendations and instructions and shall not

apply to equipment which has been subject to misuse, negligence, accident or tampering in any way so as to affect its normal performance. All normal wearable parts are not included in this guarantee. ALL DYNABRADE AIR TOOLS MUST BE USED WITH A FILTER-REGULATOR-LUBRICATOR TO MAINTAIN ALL WARRANTIES.

REPAIRS Simplicity is built into Dynabrade tools and most repairs can easily be made in the field. If needed, send parts to be repaired directly to Dynabrade, Inc. Your repair order should accompany the parts.

DYNABRADE®

ABRASIVE POWER TOOLS

DYNABRADE, INC.

72 EAST NIAGARA STREET, TONAWANDA, NEW YORK 14150, 716-694-4600/TELEX 646540 "DYNABRADE, TWDA"