

# 3 hp Cup Wheel Grinder

## 6" Diameter, Vertical

PD11.32  
November, 2011

For Serial No. 13H1000A and Higher

**Safety, Operation and Maintenance – Save This Document and Educate All Personnel**

Model	Thread	Wheel	RPM	Exhaust
<b>53243</b>	5/8"-11	6" Dia.	6,000	Side

GRINDER



Find The Most Current Offering of Support Documents and Accessories at [www.Dynabrade.com](http://www.Dynabrade.com)

## ! WARNING

Read and understand this tool manual before operating your air tool. Follow all safety rules for the protection of operating personnel as well as adjacent areas. Always operate, inspect and maintain this tool in accordance with the American National Standards Institute (ANSI), Safety Requirements for the Use, Care and Protection of Abrasive Wheels – ANSI B7.1, Compressed Air and Gas Institute (CAGI) Safety Code for Portable Air Tools – B186.1, Code of Federal Regulation – CFR 29 Part 1910, European Committee for Standards (EN) Hand Held Non-Electric Power Tools – Safety Requirements and applicable State and Local Regulations.



Read and understand tool manual before work starts to reduce risk of injury to operator, visitors, and tool.



Eye protection must be worn at all times, eye protection to conform to ANSI Z87.1.



Ear protection to be worn when exposure to sound, exceeds the limits of applicable Federal, State or local statutes, ordinances and/or regulations.



Practice safety requirements. Work alert, have proper attire, and do not operate tools under the influence of alcohol or drugs.



Respiratory protection to be used when exposed to contaminants that exceed the applicable threshold limit values required by law.



Air line hazard, pressurized supply lines and flexible hoses can cause serious injury. Do not use damaged, frayed or deteriorated air hoses and fittings.

Some dust created by sanding, grinding, drilling, and other construction activities contain chemicals known to cause cancer, birth defects or other reproductive harm. Some examples of these chemicals are:

- Lead from lead-based paints
- Crystalline silica from bricks and cement and other masonry products
- Arsenic and chromium from chemically treated lumber

Your risk from these exposures varies, depending on how often you do this type of work. To reduce your exposure to these chemicals: work in a well ventilated area, and work with approved safety equipment, such as those dust masks that are specially designed to filter out microscopic particles.

## SAFETY INSTRUCTIONS



Carefully Read and Understand the General and Wheel Grinder sections found in Tool Safety and Operating Guidelines (PN00001676) Before Handling or Using Tool.

Carefully Read all instructions before operating or servicing any Dynabrade® Abrasive Power Tool. Products offered by Dynabrade are not to be modified, converted or otherwise altered from the original design.

**Tool Intent:** Cup Grinders are used to grind; metal or stone using 6" diameter, 5/8"-11 threaded Type 11 or Type 6 Grinding Wheels.

**DO NOT USE Tool for Anything Other Than Its Intended Applications.**

**Training:** Proper care, maintenance, and storage of your air tool will maximize tools performance and reduce chance for accident.

**Employer's Responsibility:** Provide operators with safety instructions and training for safe use of tools and accessories.

**Report to Your Supervisor any Condition of the Tool, Accessories or Operation you Consider Unsafe.**

## MAINTENANCE INSTRUCTIONS

**Important:** To keep tool safe, a Preventative Maintenance Program is recommended. The program should include inspection of the tool and all related accessories and consumables, including air lines, pressure regulators, filters, oilers, etc. refer to CAGI B186.1 for additional maintenance information. If accessory or tool breakage occurs, investigate failure to determine the cause and correct before issuing tool for work. Use the following schedule as a starting point in developing a Preventative Maintenance Program. If tool does not operate properly (RPM, Vibration, Start/Stop) after these scheduled checks or at any time, the tool must be repaired and corrected before returning tool to use.

### INSTALLATION

- To ensure long life and dependable service, use a Closed Loop Air System and Filter-Regulator-Lubricator as diagramed below.
- Each tool should have its own dedicated hose connected to an air supply manifold. Quick disconnects should be installed at the manifold in an effort to reduce contamination into the tool.
- It is strongly recommended that all Dynabrade rotary vane air tools be used with a Filter-Regulator-Lubricator to minimize the possibility of misuse due to unclean air, wet air or insufficient lubrication. Dynabrade recommends the following: **10681** Air Line Filter-Regulator-Lubricator — Provides accurate air pressure regulation, two-stage filtration of water contaminants and micro-mist lubrication of pneumatic components.
- Dynabrade recommends one drop of air lube per minute for each 20 SCFM (example: if the tool specification states 40 SCFM, set the drip rate on the filter-lubricator to 2 drops per minute) Dynabrade Air Lube (P/N **95842**: 1pt/473ml) is recommended.

### MAINTENANCE SCHEDULE

#### Daily (every 8 hours):

- Inspect tool and accessories for damage or broken parts. Replace items as necessary to ensure proper operation and safety.
- Lubricate motor as recommended. Use Dynabrade Air Lube (P/N **95842**: 1pt/473ml) 10W/NR. (1 Drop per minute of air lube per 20 SCFM.)
- Check air line pressure with a gage. (MAX. 90 PSIG or 6.2 Bar operating pressure at the air inlet of the tool.)
- Right angled gear and wick system through gear case grease fitting with 3 plunges of gear oil (P/N **95848**) and grease gun (P/N **95541**). (Prime grease gun prior to greasing.)
- Check tool for proper operation: If operating improperly or demonstrates unusual vibration, the tool must be serviced and problem corrected before further use.

#### Every 20 Hours or Once a Week Which Ever Comes First:

- Check free speed of tool without the abrasive accessory mounted. Measure RPM (speed) with tachometer and with air pressure set at 90 PSIG while the tool is running. If a governed tool is operating at a higher speed than the RPM marked on the tool housing, the tool must be serviced and corrected before use. A non-governed tool may exceed the RPM marked on the tool by 10% when operated at free speed with no accessories.
- If tool is running fast look for worn, damaged or missing governors, air control rings and silencers. Special care must be taken when servicing

governors and speed control devices. Injection molded governor assemblies are non-serviceable and must be replaced.

- If tool is running slow look for clogged inlet screen, air stream, silencer(s) or a malfunctioning governor (see concerns for servicing governors). Service as required.

#### Every 50 Hours:

- Lubricate planetary gears through gear case grease fitting with 3 plunges of grease (P/N **95542**) and grease gun (P/N **95541**). (Prime grease gun prior to greasing.)

### REPAIR

- Use only genuine Dynabrade replacement parts to ensure quality. To order replacement parts, specify Model#, Serial# and RPM of your air tool.
- Mineral spirits are recommended when cleaning the tool and parts. Do not clean tool or parts with any solvents or oils containing acids, esters, ketones, chlorinated hydrocarbons or nitro carbons.
- DO NOT clean or maintain tools with chemicals that have a low flash point (example: WD-40®).
- Motor Tune-Up Kit are available (when applicable) which includes high wear and medium wear motor parts.
- Air tool markings must be kept legible at all times, if not, reorder housing and replace. User is responsible for maintaining specification information.
- After maintenance is performed on tool, add a few drops of Dynabrade Air Lube (P/N **95842**) to the tool inlet and start the tool a few times to lubricate air motor. Verify RPM (per 20 hr maintenance schedule), vibration and operation.

### HANDLING & STORAGE

- Use of tool rests, hangers and/or balancers is recommended.
- Protect tool inlet from debris (see Notice).
- DO NOT carry tool by air hose or near the tool throttle lever.
- Store accessories in protective racks or compartments to prevent damage.
- Follow the handling instructions outlined in the operating instructions when carrying the tool and when changing accessories.
- Protect accessories from exposure to water, solvents, high humidity, freezing temperature and extreme temperature changes.

### END OF USE/DISPOSAL

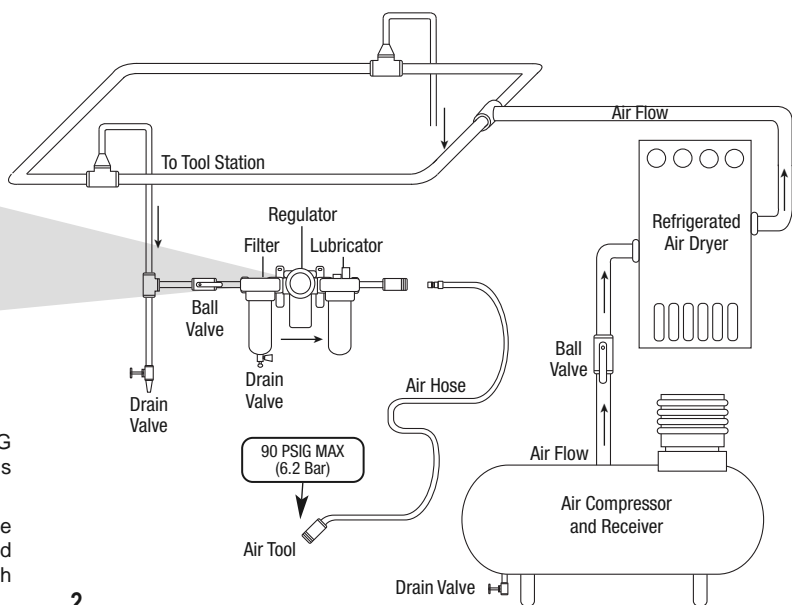
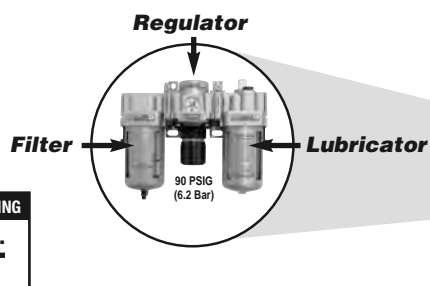
When tool has reached its end of useful service, disassemble tool into its primary components (i.e. steel, aluminum and plastic part) and recycle or discard per local, state and/or federal regulations as to not harm the environment.

### NOTICE

All Dynabrade motors use the highest quality parts and metals available and are machined to exacting tolerances. The failure of quality pneumatic motors can most often be traced to an unclean air supply or the lack of lubrication. Air pressure easily forces dirt or water contained in the air supply into motor bearings causing early failure. It often scores the cylinder walls and the rotor blades resulting in limited efficiency and power. Our warranty obligation is contingent upon proper use of our tools and cannot apply to equipment which has been subjected to misuse such as unclean air, wet air or a lack of lubrication during the use of this tool.

## AIR SYSTEM

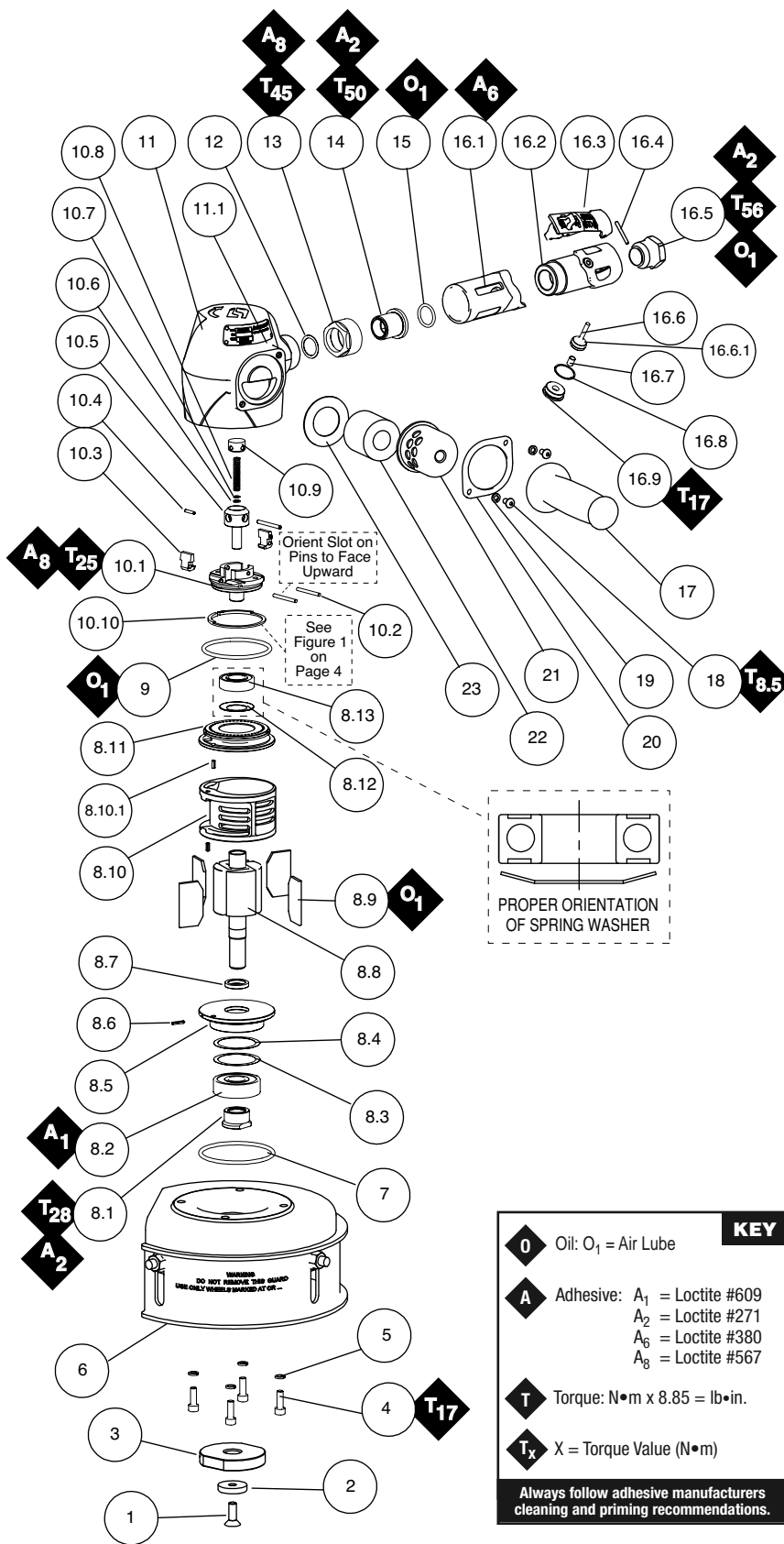
Closed Loop Pipe System, Sloped in Direction of Air Flow



- Dynabrade Air Power Tools are designed to operate at 90 PSIG (6.2 Bar) maximum air pressure at the tool inlet, when the tool is running. Use recommended regulator to control air pressure.
- Ideally the air supply should be free from moisture. To facilitate removing moisture from air supply, the installation of a refrigerated air dryer after the compressor and the use of drain valves at each tool station is recommended.

**3 hp Model**  
**53243** - 6,000 RPM

# Cup Wheel Grinder Complete Assembly



ITEM	P/N	DESCRIPTION	QTY.
1	95323	SCREW	1
2	55239	RETAINING WASHER	1
3	55225	BACKUP FLANGE	1
4	50508	SCREW	4
5	95757	WASHER	4
6	55231	CUP WHEEL GUARD ASSEMBLY	1
7	95881	O-RING	1
8	02416	MOTOR ASSEMBLY	1
8.1	55224	NUT	1
8.2	01825	BEARING	1
8.3	52469	SHIM - 0.6 MM THK	AR
8.4	52470	SHIM - 1.9 MM THK	AR
8.5	55203	FRONT BEARING PLATE	1
8.6	95240	PIN	1
8.7	55223	SPACER	1
8.8	55200	ROTOR	1
8.9	55204	VANE (4/PKG)	1
8.10	55201	CYLINDER ASSEMBLY	1
8.10.1	01673	PIN	2
8.11	55202	REAR BEARING PLATE	1
8.12	55216	WASHER	1
8.13	02552	BEARING	1
9	95880	O-RING	1
10.1	55227	GOVERNOR BODY	1
10.2	95578	SLOTTED PIN	3
10.3	55213	GOVERNOR WEIGHT	2
10.4	95240	PIN	1
10.5	55206	GOVERNOR VALVE	1
10.6	95337	GOVERNOR SHIM - 0.8 MM THK	AR
10.7	95915	GOVERNOR SHIM - 0.4 MM THK	AR
10.8	55209	SPRING	1
10.9	55207	GOVERNOR CAP	1
10.10	55218	OVERSPEED SHUT-OFF RING	1
11	02436	HOUSING ASSEMBLY	1
11.1	96381	GRINDER LABEL	1
12	52496	PACKING	1
13	52495	CUP NUT	1
14	52491	BUSHING	1
15	01746	O'RING	1
16	52441	THROTTLE HANDLE ASSEMBLY	1
16.1	07136	HANDLE GRIP	1
16.2	52494	THROTTLE HANDLE (INC. 07142 BUSHING)	1
16.3	01953	SAFETY LOCK LEVER	1
16.4	01017	PIN	1
16.5	01697	INLET BUSHING ASSEMBLY	1
16.6	07168	VALVE STEM ASSEMBLY	1
16.6.1	96577	O-RING	1
16.7	07145	SPRING	1
16.8	07146	PACKING	1
16.9	07147	PLUG	1
17	52169	HANDLE ASSEMBLY	1
18	96274	SCREW	2
19	01791	WASHER	2
20	52180	EXHAUST CLAMP	1
21	52164	EXHAUST COVER	1
22	55245	SILENCER	1
23	52165	GASKET	1
—	95304	WRENCH - 24 MM	1
—	98510	WRENCH - 2"	1

AR - "As Required"

## LIFETIME WARRANTY

To validate Dynabrade Lifetime Warranty, you must register each tool at: [www.dynabrade.com](http://www.dynabrade.com). Registration of each tool at website is required. Dynabrade will not honor Lifetime Warranty on unregistered tools. Please view the entire Lifetime Warranty Policy at : [www.dynabrade.com](http://www.dynabrade.com).



## MACHINE SPECIFICATIONS

Model	Speed	Power	Sound	Air Consumption	Wheel Size	Weight	Length	Height
53243	6,000 RPM	3 hp (2237 W)	82 db(A)	89 SCFM 2520 (LPM)	6" Dia.	11.1 lb. (5 kg)	9.5" (241 mm)	7.5" (190 mm)

Additional Specifications: Air Inlet Thread 1/2" NPT • Hose I.D. 1/2" (13 mm)  
Sound Level is the pressure measurement according to the method outlined in ISO regulation ISO-15744

## OVERSPEED SHUT-OFF RING

If the tool stops suddenly or does not reach the rated tool speed, the overspeed shut-off ring may have activated, closing off the inlet air supply. The tool must be serviced to correct the problem and the overspeed shut-off ring must be properly reinstalled for safe use.

**DANGER** IMPROPER INSTALLATION OR SERVICING OF OVERSPEED SHUT-OFF RING MAY RESULT IN SERIOUS INJURY OR DEATH.  
BEST SERVICED BY FACTORY

## GOVERNOR ASSEMBLY

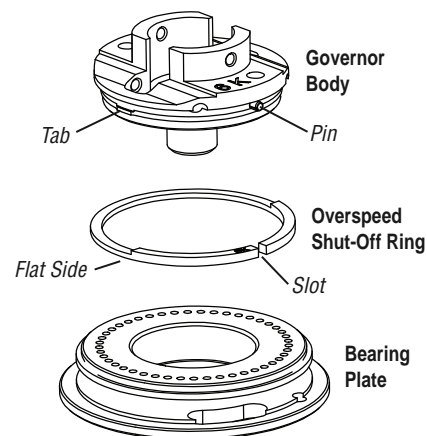


### PROPER LOCATION AND ORIENTATION OF OVERSPEED SHUT-OFF RING

INSTALL SHUT-OFF RING OVER BOTH TAB FEATURES ON THE GOVERNOR BODY WITH SLOT FEATURE CENTERED ON THE PIN.

**IMPORTANT:** ORIENT FLAT SIDE OF SHUT-OFF RING TOWARD BEARING PLATE.

## FIGURE 1



## OPTIONAL ACCESSORIES



### Motor Tune-Up Kit

- Includes assorted parts to help maintain and repair motor.

Part No. **96553**

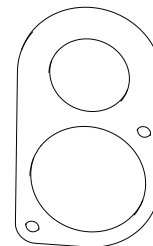


### Dynabrade Air Lube

- Formulated for pneumatic equipment.
- Absorbs up to 10% of its weight in water.
- Prevents rust and formation of sludge.
- Keeps pneumatic tools operating longer with greater power and less down time.

Part No. **95842**: 1pt. (473 ml)

Part No. **95843**: 1gal. (3.8 L)



### Hanger Bracket

- For use with hangers and suspension devices.

Part No. **55248**

## REFERENCE CONTACT INFORMATION

### American National Standards Institute (ANSI)

1899 L Street, NW, 11th Floor • Washington, DC 20036  
Tel: 1 (202) 293-8020

### Compressed Air & Gas Institute (CAGI)

1300 Sumner Ave. • Cleveland, OH 44115-2851  
Tel: 1 (216) 241-7333 • Fax: (216) 241-0105

### Government Printing Office (GPO)

Superintendent of Documents • Attn: New Orders  
P.O. Box 371954 • Pittsburgh, PA 15250-7954 • Tel: 1 (202) 512-1803

### International Organization of Standards (ISO)

Case postale 56 • CH-1211 Geneva 20  
Tel: + 41 22 749 01 11 • Fax: + 41 22 749 09 47

## DYNABRADE, INC.

8989 Sheridan Drive • Clarence, NY 14031-1419 • Phone: 716-631-0100 • Fax: 716-631-2073 • International Fax: 716-631-2524  
© DYNABRADE, INC., 2011 PRINTED IN USA PD11.32\_05/13R

[www.dynabrade.com](http://www.dynabrade.com)

