



Portable Vacuum System

Parts List

- 61292** (9.9 gal./36 ltr.) 230v-50Hz (UK)
- 61293** (17 gal./64 ltr.) 230v-50Hz (UK)
- 61294** (9.9 gal./36 ltr.) 110v-60Hz (UK)

- 61296** (9.9 gal./36 ltr.) 230v-50Hz (EUR)
- 61297** (17 gal./64 ltr.) 230v-50Hz (EUR)



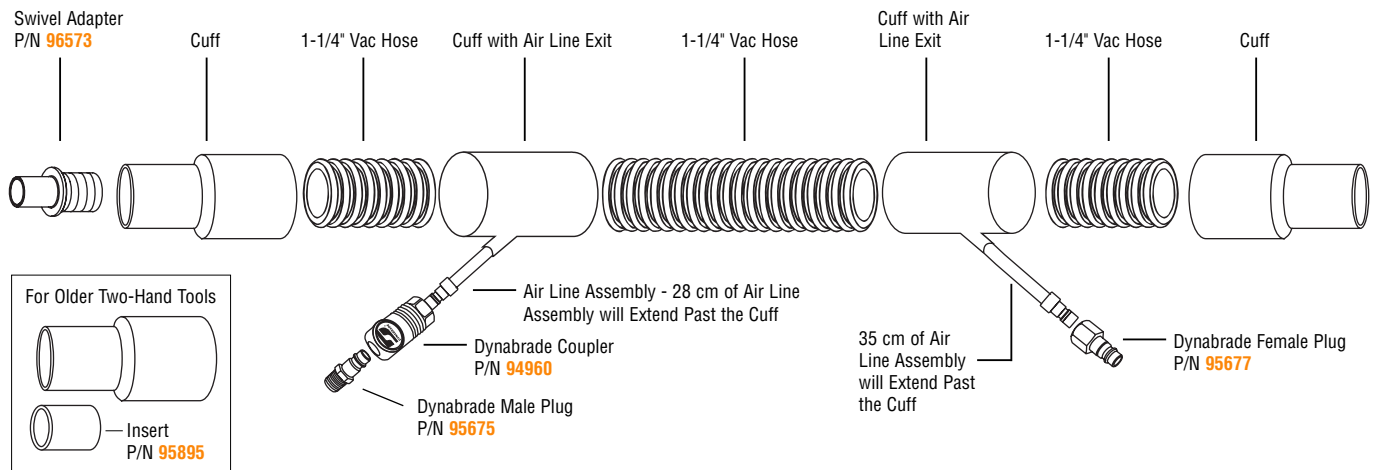
9.9 gal./36 ltr.
Model Shown



“M” CLASS DRY VACUUM

When employed in accordance with their intended use, the industrial vacuum cleaners described in these operating instructions are suitable for picking up non-flammable, dry dusts. They correspond to dust class “M” in accordance to: **EN 60335-2-69. By SLG, Germany**

94941 COAXIAL VACUUM HOSE ASSEMBLY



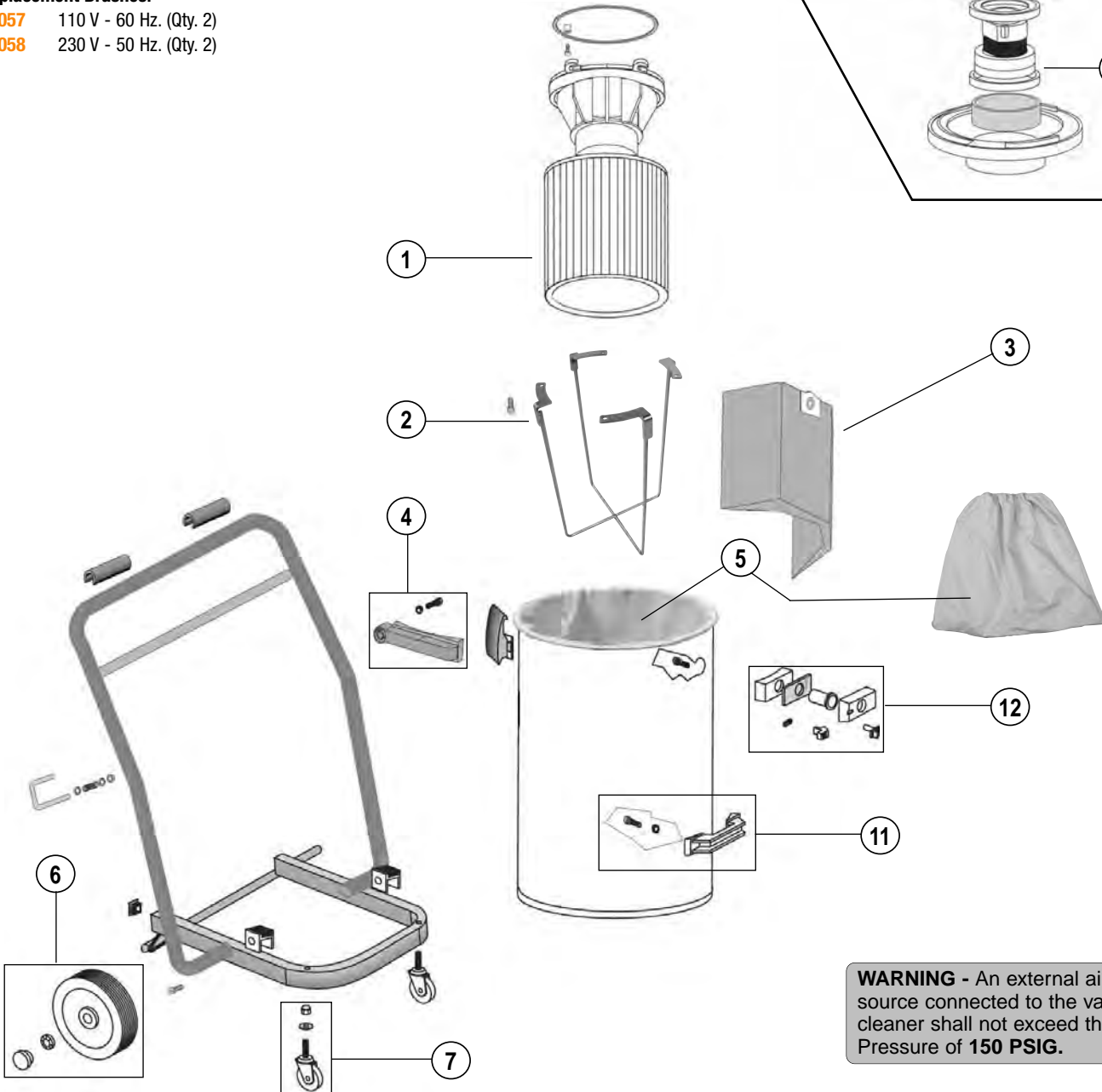
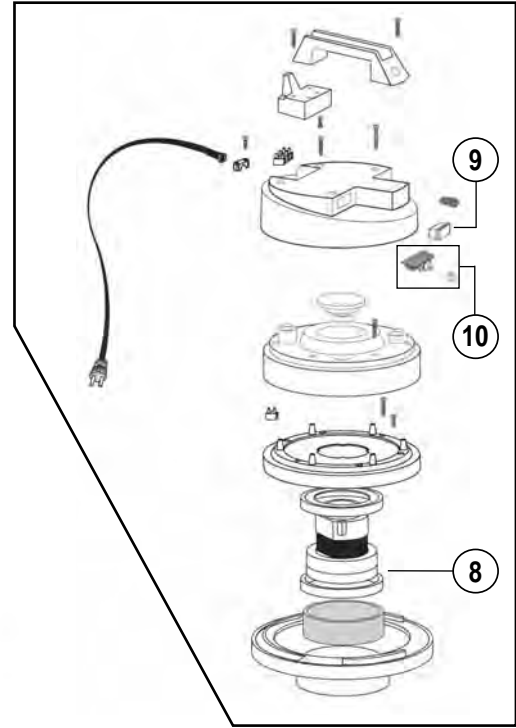
MACHINE PARTS LIST – (9.9 gal./36 ltr.)

ITEM	PART NO.	DESCRIPTION
1	80040	H.E.P.A. Filter
2	80042	Filter Cage (Includes 4 Screws)
3	64682	Disposable Vacuum Bag (10/Pkg.)
4	80055	Side Hinge
5	80041	Pre-Filter
6	80052	Rear Wheel Assembly
7	80050	Standard Front Wheel Assembly
8	80059	Motor (110 V - 60 Hz)
	80060	Motor (230 V - 50 Hz)
9	80077	Power Switch
10	80053	Vacuum Speed Control Assembly (110 V - 60 Hz)
	80054	Vacuum Speed Control Assembly (230 V - 50 Hz)
11	80081	Handle Assembly
12	80085	Vacuum Inlet Assembly

Replacement Brushes:

- 80057 110 V - 60 Hz. (Qty. 2)
- 80058 230 V - 50 Hz. (Qty. 2)

MOTORHEAD ASSEMBLY



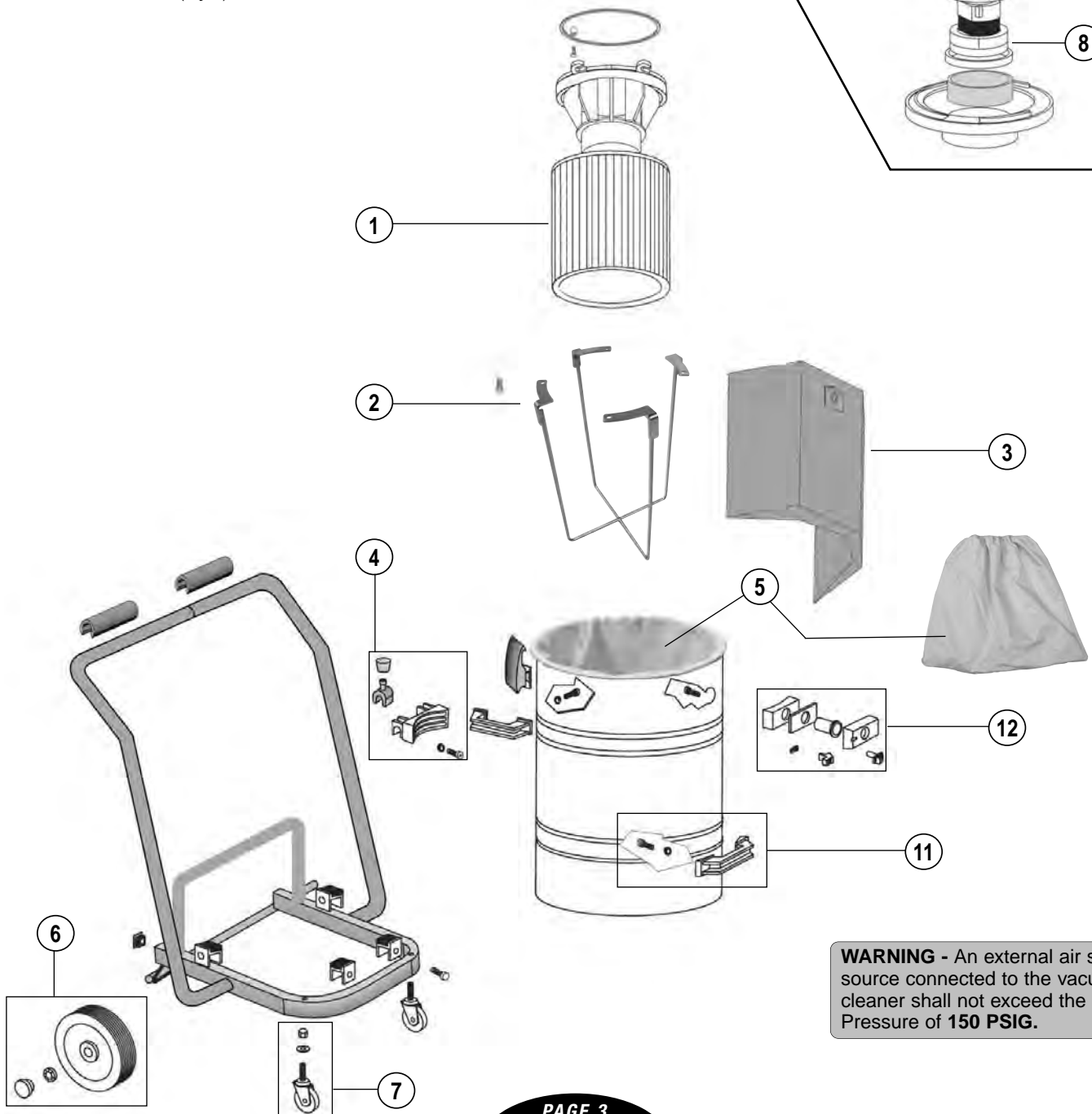
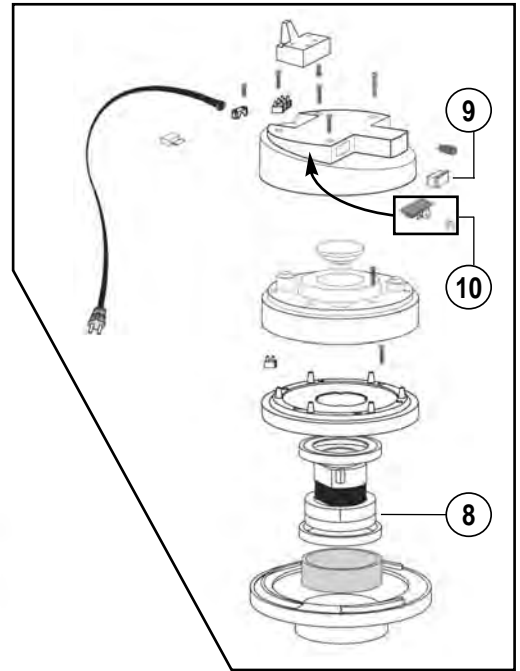
WARNING - An external air supply source connected to the vacuum cleaner shall not exceed the Max Pressure of **150 PSIG**.

MACHINE PARTS LIST – (17 gal./64 ltr.)

ITEM	PART NO.	DESCRIPTION
1	80040	H.E.P.A. Filter
2	80042	Filter Cage (Includes 4 Screws)
3	80076	Disposable Vacuum Bag (10/Pkg.)
4	80056	Rear Hinge Assembly
5	80039	Pre-Filter
6	80052	Rear Wheel Assembly
7	80050	Standard Front Wheel Assembly
8	80060	Motor (230 V - 50 Hz)
9	80077	Power Switch
10	80054	Vacuum Speed Control Assembly (230 V - 50 Hz)
11	80081	Handle Assembly
12	80085	Vacuum Inlet Assembly

Replacement Brushes:
80058 230 V - 50 Hz. (Qty. 2)

MOTORHEAD ASSEMBLY



WARNING - An external air supply source connected to the vacuum cleaner shall not exceed the Max Pressure of **150 PSIG**.

OPTIONAL ACCESSORIES



Replacement Brushes

- 80057** 110 V - 60 Hz. (Qty. 2)
- 80058** 230 V - 50 Hz. (Qty. 2)



80051 Locking Front Wheel Assembly

- Allows to lock the entire unit with the simple ease of a push-lock system.



Disposable Vacuum Paper Bag

- A minimum order quantity of 10.

- 64682** (9.9 gal./36 ltr.) 10/Pkg.
- 80076** (17 gal./64 ltr.) 10/Pkg.



64686 "Y" Vacuum Connector

- Allows for two tools to be connected to the same Portable Vacuum System.



61361 Vacuum Edge Guard

- Non-Marring protective edge allows vacuum unit to be placed on finished surfaces.

Note: For use with 9.9 gal./36 ltr. models only.



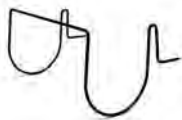
96558 Vacuum Cleaning Kit

(Includes The Following)

- Hose
- Extension Pipe (2)
- Curved Handle

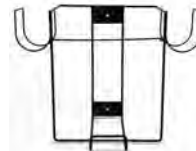
(Includes The Following Attachments)

- Round Brush
- Coarse Dirt Nozzle
- Crevis Tool



96581 Vacuum Tray Hose Hanger

- Easily installed onto Vacuum Tray. (Requires Vacuum Tray To Install.)



96534 Wall Mount Bracket

- Keep vacuum off floor and convenient for use.

Note: For use with 9.9 gal./36 ltr. models only.



Dynabrade Offers A Complete Line of Hose Cuffs and Reducers. Refer To Dynabrade's Current Catalog



Vacuum Filter

- Large filtration surface area offers a longer usable life before needing to be replaced.

80040 H.E.P.A. Filter



Pre-Filter

- Polycarbon pre-filter prevents vacuum filter from quickly getting clogged.

- 80041** (9.9 gal./36 ltr.)
- 80039** (17 gal./64 ltr.)



Vacuum Tray

- A convenient storage shelf that rests on top of the vacuum to place work related items.

96567 (9.9 gal./36 ltr.)

DYNABRADE CUSTOMER SERVICE

US Consumers Call Toll-Free: 1-800-828-7333 • Canadian Consumers Call Toll-Free: 1-800-344-1488

DYNABRADE, INC.

8989 Sheridan Drive • Clarence, New York 14031-1490 • Phone: (716) 631-0100
Fax: 716-631-2073 • US Consumers Call Toll Free: 1-800-828-7333

DYNABRADE INTERNATIONAL

8989 Sheridan Drive • Clarence, New York 14031-1490 • Phone: (716) 631-0100
Fax: 716-631-2524 • Canadian Consumers Call Toll Free: 1-800-344-1488

DYNABRADE EUROPE S.à r.l.

Zone Artisanale • L-5485 Wormeldange-Haut, Luxembourg
Phone: +352 768 494 1 • Fax: +352 768 495

DYNABRADE DO BRASIL

Rua Mário Fongaro • 421 - Vila Marlene • São Bernardo do Campo
SP - CEP 09732-530 • Telefax: (11) 4124-6040

www.dynabrade.com

