

.7 hp Die Grinder

Steel Housing

Parts Page Reorder No. PD09•09
Effective January, 2009

Air Tool Manual – Safety, Operation and Maintenance

SAVE THIS DOCUMENT, EDUCATE ALL PERSONNEL

20,000 RPM • 1/4" Collet

Models:

53811 – Front Exhaust

53812 – Rear Exhaust



Model 53812

FIND THE MOST CURRENT OFFERING OF SUPPORT DOCUMENTS AND ACCESSORIES AT WWW.DYNABRADE.COM

⚠ WARNING

Read and understand this tool manual before operating your air tool. Follow all safety rules for the protection of operating personnel as well as adjacent areas. Always operate, inspect and maintain this tool in accordance with the American National Standards Institute (ANSI) Safety Code for Portable Air Tools – B186.1. For additional safety information, refer to Safety Requirements for the Use, Care and Protection of Abrasive Wheels – ANSI B7.1, Code of Federal Regulation – CFR 29 Part 1910, European Committee for Standards (EN) Hand Held Non-Electric Power Tools – Safety Requirements and applicable State and Local Regulations.

SAFETY LEGEND

	⚠ WARNING Read and understand tool manual before work starts to reduce risk of injury to operator, visitors, and tool.	⚠ WARNING Practice safety requirements. Work alert, have proper attire, and do not operate tools under the influence of alcohol or drugs.	
	⚠ WARNING Eye protection must be worn at all times, eye protection to conform to ANSI Z87.1.	⚠ WARNING Ear protection to be worn when exposure to sound, exceeds the limits of applicable Federal, State or local statutes, ordinances and/or regulations.	
	⚠ WARNING Respiratory protection to be used when exposed to contaminants that exceed the applicable threshold limit values required by law.	⚠ WARNING Air line hazard, pressurized supply lines and flexible hoses can cause serious injury. Do not use damaged, frayed or deteriorated air hoses and fittings.	

⚠ WARNING

Some dust created by sanding, grinding, drilling, and other construction activities contain chemicals known to cause cancer, birth defects or other reproductive harm. Some examples of these chemicals are:

- Lead from lead-based paints
- Crystalline silica from bricks and cement and other masonry products
- Arsenic and chromium from chemically treated lumber

Your risk from these exposures varies, depending on how often you do this type of work. To reduce your exposure to these chemicals: work in a well ventilated area, and work with approved safety equipment, such as those dust masks that are specially designed to filter out microscopic particles.

SAFETY INSTRUCTIONS

Carefully Read all instructions before operating or servicing any Dynabrade® Abrasive Power Tool. Products offered by Dynabrade are not to be modified, converted or otherwise altered from the original design without expressed written consent from Dynabrade, Inc.

Tool Intent: .7 hp Die Grinder is ideal for deburring, deflashing, surface preparation, cleaning and finishing using the proper abrasive stones, abrasive mounted wheels and points, molded abrasives, and carbide burrs.

Do Not use tool for anything other than its intended applications.

This power tool is not intended for use in potentially explosive atmospheres and is not insulated against contact with electrical power.

Training: Proper care, maintenance, and storage of your air tools will maximize their performance.

- Employer's Responsibility – Provide .7 hp Die Grinder operators with safety instructions and training for safe use of tools and accessories.

(continued on next page)

SAFETY INSTRUCTIONS (Continued)

Accessory Selection:

- Abrasive/accessory RPM (speed) rating MUST be approved for AT LEAST the tool RPM rating.
- Before mounting an accessory, visually inspect for defects. Do not use defective accessories.
- Use only accessories of the correct shaft size for the collet (example: 1/4" shaft = 1/4" collet).
- Use only recommended accessories. Reference Dynabrade catalog and this tool manual.
- Follow tool specifications before choosing size and type of accessory.
- Only use recommended fittings and air line sizes. Air supply hoses and air hose accessories must have a minimum working pressure of 150 PSIG (10 Bars) or 150 percent of the maximum pressure produced in the system, whichever is higher. (See tool Machine Specifications table.)

OPERATING INSTRUCTIONS

Warning: Always wear personal protective equipment. Operator of tool is responsible for following: accepted eye, face, respiratory, hearing and body protection.

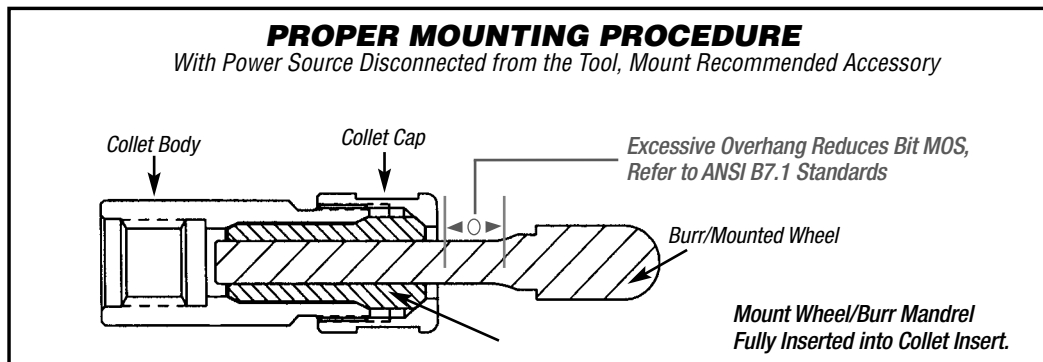
Caution: Hand, wrist and arm injury may result from repetitive work, motion and overexposure to vibration.

- Keep hand and clothing away from working end of the air tool.
- Working end of tool has a potential of cutting and severing.

Operation: Be sure that any loose clothing, hair and all jewelry is properly restrained.

- Secure inlet bushing on air tool with a wrench before attempting to install the air fitting to avoid damaging housing assembly.
- BEFORE MOUNTING AN ACCESSORY, after all tool repairs and whenever a .7 hp Die Grinder is issued for use, check tool RPM (speed) with tachometer with air pressure set at 90 PSIG while the tool is running. If tool is operating at a higher speed than the RPM marked on the tool housing, or operating improperly, the tool must be serviced and corrected before use.

Caution: Tool RPM must never exceed abrasive/accessory RPM rating. Check accessory manufacturer for details on maximum operating speed or special mounting instructions. Improper mounting of an accessory may cause excessive vibration levels or damage the accessory. Make sure no one is in the unguarded plane of the accessory. Run tool for 1 minute of operating speed in a protected area.



- Connect air tool to power source. Be careful NOT to depress throttle lever in the process. **Do not expose air tool to inlet pressure above 90 PSIG or (6.2 Bars).**

Caution: After installing the accessory, before testing or use and/or after assembling tool, the .7 hp Die Grinder must be started at a reduced speed to check for good balance. Gradually increase tool speed. DO NOT USE if tool vibration is excessive. Correct cause, and retest to insure safe operation. Test tool at its free speed (RPM) in a protected area for at least one minute before applying the tool to the work.

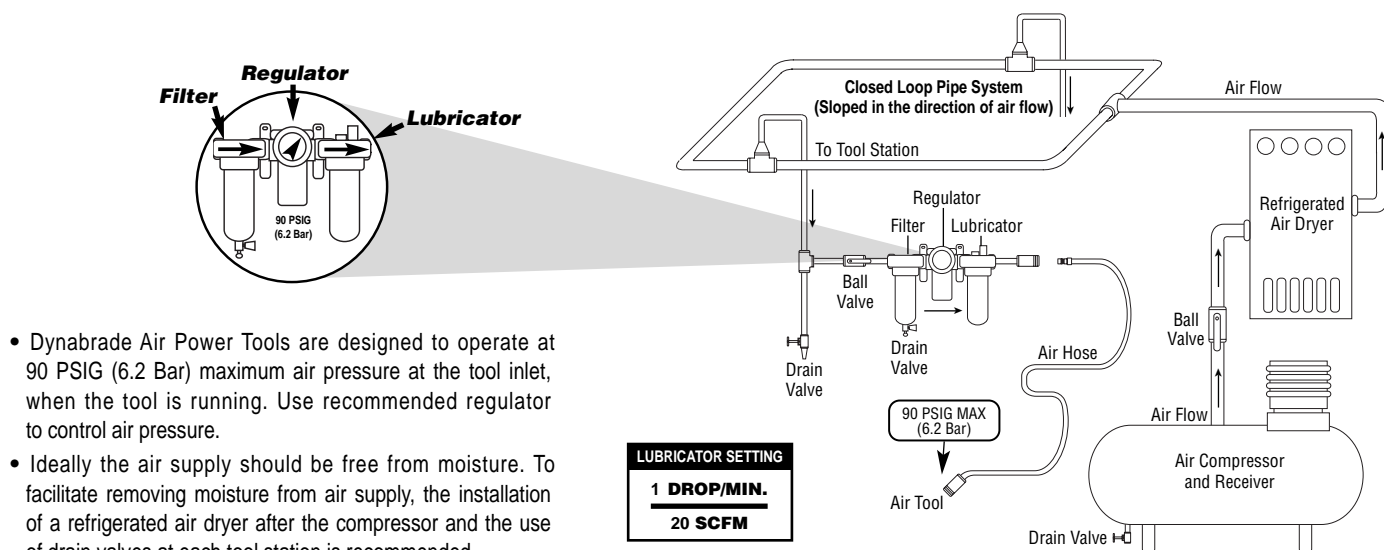
- Release throttle lever when air supply is interrupted.
- Make sure that work area is uncluttered, and visitors are at a safe range from the tools and debris.
- Air tools are not intended for use in explosive atmospheres and are not insulated for contact with electric power sources.
- Use a vise or clamping device to hold work piece firmly in place.
- Do not apply excessive force on tool or apply "rough" treatment to it.
- Always work with a firm footing, posture and proper lighting.
- Ensure that sparks and debris resulting from work does not create a hazard.
- Tool exhaust may contain lubricants, vane material, bearing grease, and other materials flushed thru the tool.

Warning: Grinding certain materials can create explosive dust. It is the employers responsibility to notify the user of acceptable dust levels.

- Grinding can cause sparks which can cause fires or explosions. It is the users responsibility to make sure the work area is free of flammable materials.
- DO NOT USE cut-off wheels or router bits on this tool.
- Always use dust extraction or suppression systems and personal protective equipment which are suitable for the materials being processed.

Report to your supervisor any condition of the tool, accessories, or operation you consider unsafe.

Air System



- Dynabrade Air Power Tools are designed to operate at 90 PSIG (6.2 Bar) maximum air pressure at the tool inlet, when the tool is running. Use recommended regulator to control air pressure.
- Ideally the air supply should be free from moisture. To facilitate removing moisture from air supply, the installation of a refrigerated air dryer after the compressor and the use of drain valves at each tool station is recommended.

Maintenance Instructions

Important: To keep tool safe a Preventative Maintenance Program is recommended whenever portable power tools are used. The program should include inspection of air supply lines, air line pressure, proper lubrication and repair of tools. Refer to ANSI B186.1 for additional maintenance information.

- Use only genuine Dynabrade replacement parts to ensure quality. To order replacement parts, specify **Model#**, **Serial#** and **RPM** of your air tool.
- It is strongly recommended that all Dynabrade rotary vane air tools be used with a Filter-Regulator-Lubricator to minimize the possibility of misuse due to unclean air, wet air or insufficient lubrication. Dynabrade recommends the following: **10681** Air Line Filter-Regulator-Lubricator — Provides accurate air pressure regulation, two-stage filtration of water contaminants and micro-mist lubrication of pneumatic components. Delivers up to 55 SCFM/1,558 LPM @ 145 PSIG/9.7 Bar (Max. Air Temperature of 140°F/60°C) **Note:** Two (2) 3/8" NPT Reducer Bushings are included.
- Dynabrade recommends one drop of air lube per minute for each 20 SCFM (example: if the tool specification states 40 SCFM, set the drip rate on the filter-lubricator to 2 drops per minute). Dynabrade Air Lube (P/N **95842**: 1 pt 473 ml) is recommended.

Routine Preventative Maintenance:

- Check free speed of tool regularly using a tachometer without the abrasive accessory mounted. After all tool repairs and whenever a .7 hp Die Grinder is issued for use, check tool RPM (speed) with tachometer with air pressure set at 90 PSIG while the tool is running. If tool is operating at a higher speed than the RPM marked on the tool housing, operating improperly or demonstrates unusual vibration, the tool must be serviced and corrected before use.
- Inspect accessories before mounting. Do not mount accessories that are damaged or nicked.
- Check accessory - speed rating. Rating on accessory must be greater than the tool speed marked on the housing.
- If accessory breakage occurs, investigate to determine the cause and correct before issuing tool for work.
- Mineral spirits are recommended when cleaning the tool and parts. Do not clean tool or parts with any solvents or oils containing acids, esters, ketones, chlorinated hydrocarbons or nitro carbons.
- **DO NOT** clean or maintain tools with chemicals that have a low flash point (example: WD-40®).
- A Motor Tune-Up Kit (P/N **98623**) is available which includes high wear and medium wear motor parts.
- Air tool markings must be kept legible at all times, if not, reorder housing and replace. User is responsible for maintaining specification information i.e.: Model #, S/N, and RPM. (See Assembly Breakdown)
- Blow air supply hose out prior to initial use.
- Visually inspect air hoses and fittings for frays, visible damage and signs of deterioration. Replace damaged or worn components.
- Refer to Dynabrade's Warning/Safety Operating Instructions Tag (Reorder No. **95903**) for safety information.

After maintenance is performed on tool, add a few drops of Dynabrade Air Lube (P/N **95842**) to the air line and start the tool a few times to lubricate air motor. Check for tool vibration before mounting abrasive wheel accessory.

Handling and Storage:

- Use of tool rests, hangers and/or balancers is recommended.
- Protect tool inlet from debris (see Notice on Page 7).
- **DO NOT** carry tool by air hose or near the tool throttle lever.
- Protect tool from exposure to water, solvents, high humidity, freezing temperature and extreme temperature changes.
- **DO NOT USE** accessories that have been dropped or show signs of cracks, nicks or other defects.
- Store accessories in protective racks or compartments to prevent damage.

Models:

- 53811** - Front Exhaust
- 53812** - Rear Exhaust

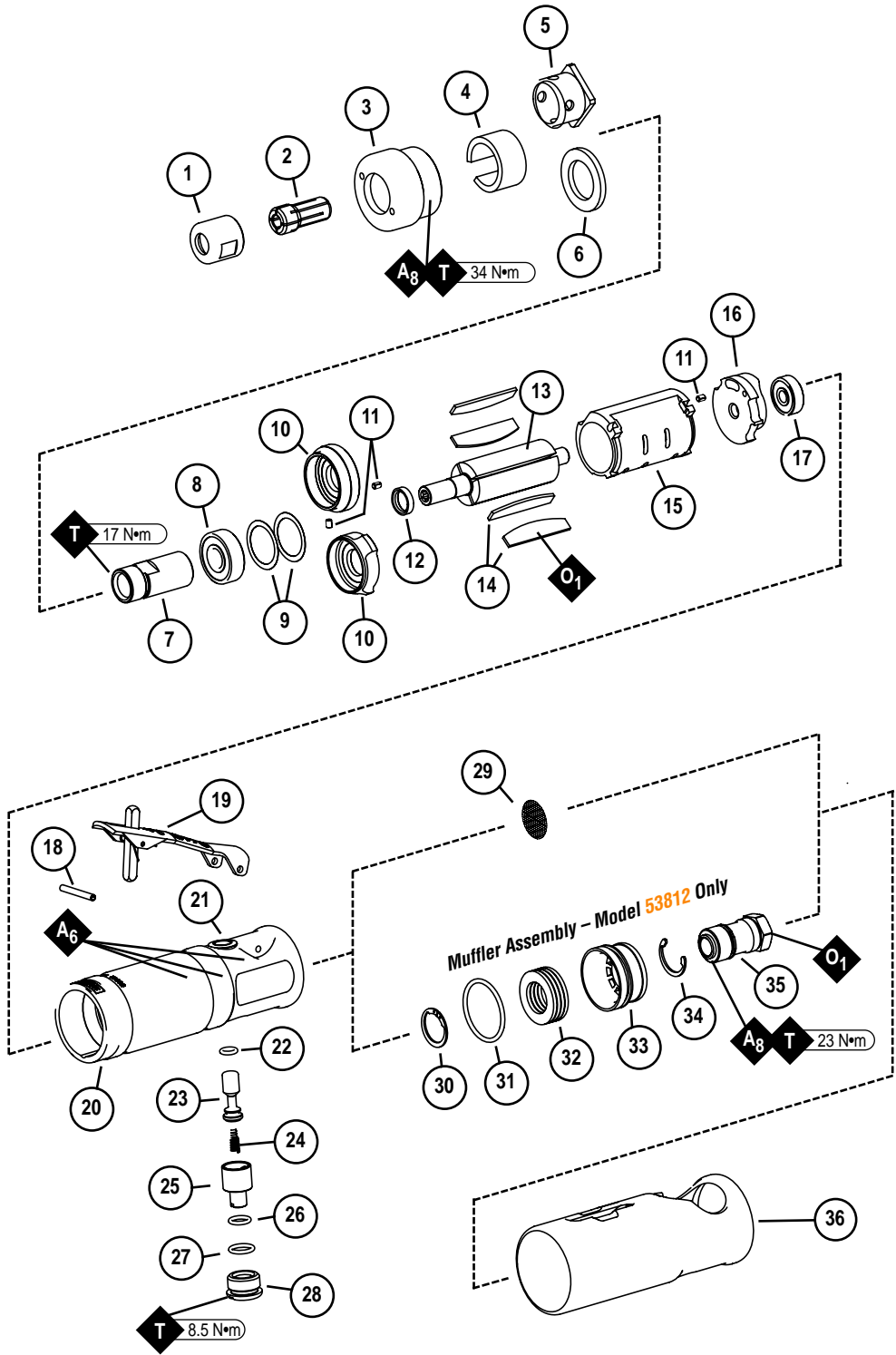
.7 hp Die Grinder

Complete Assembly – All Models

Index Key

No.	Part #	Description
1	50012	Collet Cap
2	50013	1/4" Collet Insert
3	04102	Lock Ring
4	04078	Felt Silencer - 53811
	04066	Seal - 53812
5	04084	Air Control Ring - 53811
6	04069	Retaining Plate - 53812
7	50011	Collet Body
8	01007	Bearing
9	01121	Shim Pack
10	01008	Front Plate - 53811
	02375	Front Plate - 53812
11	50767	Pin (2) - 53811
		Pin (3) - 53812
12	01010	Spacer
13	55021	Rotor
14	01185	Vanes (4/Pkg.)
15	01028	Cylinder
16	01743	Rear Plate - 53811
	01721	Rear Plate - 53812
17	02649	Bearing
18	01017	Pin
19	01089	Safety Lever
20	Housing	(Includes Bushing 01004)
	02391	Housing - 53811
		(Includes 56022 Screen)
	02392	Housing - 53812
21	01004	Bushing
22	01020	O-Ring
23	01021	Valve Stem
24	01022	Spring
25	01023	Speed Regulator
26	01024	O-Ring
27	95288	O-Ring
28	01026	Regulator Plug
29	56022	Screen - 53811
30	95711	Snap Ring
31	96065	O-Ring
32	01486	Felt Silencer (4)
33	01446	Air Deflector
34	95620	Retaining Ring
35	01578	Inlet Adapter
36	Insulation Sleeve	
	02348	Sleeve - 53811
	02347	Sleeve - 53812

Muffler Assembly Part No. 94535
Model 53812 Only



KEY	
O	Oil: O ₁ = Air Lube
A	Adhesive: A ₆ = Loctite #380 A ₈ = Loctite #567
T	Torque: N*m x 8.85 = In. - lbs.

Always follow adhesive manufacturers cleaning and priming recommendations.

Disassembly/Assembly Instructions

Important: The Dynabrade Pneumatic Power Tool Lifetime Warranty Policy does NOT cover normally wearable parts and products. Before servicing this tool please contact Dynabrade Inc. or a Dynabrade Subsidiary for information regarding the Dynabrade Pneumatic Power Tool Lifetime Warranty Policy.

Notice: Special repair tooling referred to in these instructions can be ordered from Dynabrade. (See Page 7)

Motor Disassembly:

1. Secure the flats of the motor housing in a vise with aluminum or bronze jaws.
2. Loosen and remove the collet; cap, insert, and any accessory.
3. Remove the **04102** Lock Ring with the **50971** Lock Ring Wrench or use an adjustable pin spanner wrench turning it counterclockwise. Remove Felt Silencer/Seal and Air Control Ring/Retaining Plate.
4. Pull the motor assembly from the housing.
5. Fasten the **96346** Bearing Separator (2") around the portion of the **01028** Cylinder that is nearest the **01743/01721** Rear Plate.
6. Position the bearing separator on the table of the **96232** Arbor Press (#2) so that the threaded shaft of the air motor is pointing toward the floor.
7. Use a 1/4" dia. flat end drive punch as a press tool and push the rotor shaft out of the **02649** Bearing. Remove the **01185** Vanes.
8. Use the **96213** Bearing Removal Tool and the **96232** Arbor Press (#2) to remove the **02649** Bearing from the rear plate.
9. Secure the vane portion of the **55021** Rotor in a vise with aluminum or bronze jaws.
10. Use an adjustable wrench or the **95262** Wrench (14 mm) to loosen the collet body turning it counterclockwise.
11. Remove the **01008/02375** Front Plate, **01007** Bearing, Shims, and **01010** Spacer.

Motor Disassembly Complete.

Inlet Valve/94535 Muffler Disassembly:

1. Secure the flats of the motor housing in a vise with aluminum or bronze jaws.
2. Use a large flat blade screwdriver or **95900** Split Blade Wrench (sold separately) to remove the **01026** Regulator Plug turning it counterclockwise.
3. Remove all valve components.
4. Use a 2.5 mm drive punch to remove the **01017** Pin and throttle lever.

Rear Exhaust Model 53812 Only:

5. Position the motor housing so that the **94535** Muffler Assembly is pointing up.
6. Use a 17 mm socket wrench to remove the **01578** Inlet Adapter turning it counterclockwise.
7. Remove the **94535** Muffler Assembly.

Inlet Valve/94535 Muffler Disassembly Complete.

Important: Clean and Inspect Parts for Wear or Damage Before Assembling.

Motor Assembly:

1. Secure the vane portion of the **55021** Rotor in a vise with aluminum or bronze jaws.
2. Install the **01010** Spacer onto the rotor.
3. Place .003" (.08 mm) thickness shims into the **01008/02375** Front Plate and install the **01007** Bearing. Slide this assembly onto the rotor.
4. Install the collet body onto the rotor. (Torque to 17 N•m/150 in. lbs.)
5. Check the clearance between the rotor and the bearing plate with a .001" (.03 mm) thick feeler gauge. The clearance should be .001" (.03 mm) to .0015" (.04 mm). If it is necessary to adjust the clearance, repeat steps 3-5 adding or removing shims. Once the proper rotor/gap clearance is achieved proceed with the motor assembly.
6. Install the **01185** Vanes (4/pkg.) that have been lubricated with the **95842** Dynabrade Air Lube 10W/NR (or equivalent).
7. Place the **01028** Cylinder onto the assembly so that the air inlet passage will line up with the air inlet passage in the **01743/01721** Rear Plate.
8. Use the **96240** Bearing Press Tool to install the **02649** Bearing into the **01743/01721** Rear Plate. Note: Use the **96240** Bearing Press Tool so that it touches against the outer race of the bearing.
9. Use the **96240** Bearing Press Tool and the **96232** Arbor Press (#2) to install the bearing/rear plate assembly onto the **55021** Rotor.
Note: The press tool should push against the inner race of the bearing. **Important:** Carefully press the bearing/rear plate assembly onto the rotor to achieve a snug fit between the bearing plates and the cylinder. A snug fit will trap the cylinder while still allowing it to be shifted from side to side with a slight amount of finger pressure. A loose fit will not achieve proper preload of the motor bearings.
10. Align the outer diameters of the front plate, cylinder, and rear plate. Carefully slide the motor assembly into the housing. Align the rear plate inlet slot with the three inlet feed holes in the housing to insure maximum performance. **NOTE: REAR EXHAUST MODEL 53812 ONLY** – Align the line-up pin in the front plate with the groove on the inside of the motor housing. Make sure that the motor is positioned properly so that it fits all the way into the housing before installing the lock ring.
11. Secure the flats of the motor housing in a vise with aluminum or bronze jaws so that the rotor shaft is pointing up.
12. Install the Felt Silencer/Seal and Air Control Ring/Retaining Plate into the **04102** Lock Ring. After threaded surfaces have been properly cleaned and primed, apply a small amount of the Loctite #567 (or equivalent) to the threads of the lock ring and install these parts onto the motor housing. (Torque to 34 N•m/300 in. lbs.)
13. **Note:** Checked the motor for proper adjustment. - With the motor housing still mounted in the vise pull up on the end of the rotor shaft while turning it back and forth. (Apply 7-10 lbs. force.) Perform the same procedure while pushing down on the rotor shaft with the same amount of force. The rotor should turn freely without any drag or rub being felt. If a pull rub is felt, increase preload or remove shims. If a push rub is felt, then remove some of the load or add shims.
14. Install the collet assembly.

Motor Assembly Complete.

(continued on next page)

Disassembly/Assembly Instructions (Continued)

Inlet Valve/94535 Muffler Assembly:

1. Secure the flats of the motor housing in a vise with aluminum or bronze jaws so that the air inlet opening is pointing up.
2. Install the **01021** Valve Stem with **01020** O-Ring set into groove and **01022** Spring (insert small diameter end into valve stem hole) into the valve bushing.
3. Install the **01023** Speed Regulator with **01024** O-Ring into the air inlet opening.
4. Install the **01026** Regulator Plug with **95288** O-Ring set into groove (using **95900** Split Blade Wrench, sold separately, torque to 8.5 N•m/75 in. lbs.).
5. Use a flat blade screwdriver to adjust the **01023** Speed Regulator to the open position.
6. Install the throttle lever securing it with the **01017** Pin.

Rear Exhaust Model 53812 Only:

7. Use the exploded view of the **94535** Muffler Assembly for the order of assembly.
8. After threaded surfaces have been properly cleaned and primed, apply a small amount of the Loctite #567 (or equivalent) to the external threads of the **01578** Inlet Adapter and install the **94535** Muffler Assembly. (Torque to 23 N•m/200 in. lbs.)
9. Hold the **01578** Inlet Adapter stationary with an adjustable wrench while installing the air fitting.

Inlet Valve/94535 Muffler Assembly Complete.

Tool Assembly Complete. Please allow 30 minutes for adhesives to cure before operating tool.

Important: Before operating, place 2-3 drops of Dynabrade Air Lube (P/N **95842**) directly into air inlet with throttle lever depressed. Operate tool for 30 seconds to determine if tool is operating properly and to allow lubricating oils to properly penetrate motor. Motor should now be tested for proper operation at 90 PSIG. If motor does not operate properly or operates at a higher RPM than marked on the tool, the tool should be serviced to correct the cause before use.

Loctite® is a registered trademark of Loctite Corp.

Machine Specifications

Model Number	Motor hp (W)	Motor RPM	Sound Level	Maximum Air Flow SCFM (LPM)	Collet Size Inch	Air Pressure PSIG (Bars)	Weight Pound (kg)	Length Inch (mm)	Height Inch (mm)
53811	.7 (522)	20,000	82.6 dB(A)	37 (1,048)	1/4"	90 (6.2)	2.2 (0.98)	6-1/8 (156)	1-3/4 (45)
53812	.7 (522)	20,000	79.0 dB(A)	38 (1,076)	1/4"	90 (6.2)	2.3 (1.06)	7-1/4 (184)	1-3/4 (45)

Additional Specifications: Air Inlet Thread 1/4" NPT • Hose I.D. 3/8" (10 mm)

Sound Level is the pressure measurement according to the method outlined in ISO regulation ISO-15744

Lifetime Warranty

All Dynabrade portable pneumatic power tools are rigorously inspected and performance tested in our factory before shipping to our customers. If a Dynabrade tool develops a performance problem and an inherent defect is found during normal use and service, Dynabrade will warrant this tool against defects in workmanship and materials for the lifetime of the tool. Upon examination and review at our factory, Dynabrade shall confirm that the tool qualifies for warranty status, and will repair or replace the tool at no charge to the customer. Normally wearable parts and products are NOT covered under this warranty. Uncovered items include bearings, contact wheels, rotor blades, regulators, valve stems, levers, shrouds, guards, O-rings, seals, gaskets and other wearable parts. Dynabrade's warranty policy is contingent upon proper use of our tools in accordance with factory recommendations, instructions and safety practices. It shall not apply to equipment that has been subjected to misuse, negligence, accident or tampering in any way so as to affect its normal performance. To activate lifetime warranty, customer must register each tool at www.dynabrade.com. Dynabrade will not honor lifetime warranty on unregistered tools. A one-year warranty will be honored on all unregistered portable pneumatic power tools. Lifetime warranty applies only to portable pneumatic tools manufactured by Dynabrade, Inc. in the USA. Lifetime warranty applies only to the original tool owner; warranty is non-transferable.

Preventative Maintenance Schedule

.7 hp Die Grinder – All Models

This service chart is published as a guide to expectant life of component parts. The replacement levels are based on average tool usage over one year. Dynabrade Inc. considers one year usage to be 1,000 hours.

Parts Common to all Models:

Index #	Part Number	Description	Number Required	High Wear 100%	Medium Wear 70%	Low Wear 30%	Non-Wear 10%
1	50012	Collet Cap	1				X
2	50013	1/4" Collet Insert	1			X	
3	04102	Lock Ring	1				X
4	See Note	Felt Silencer/Seal	1	T			
5	04084	Air Control Ring	1				X
6	04069	Retaining Plate	1				X
7	50011	Collet Body	1				X
8	01007	Bearing	1		T		
9	01121	Shim Pack	1	T			
10	See Note	Front Plate	1			X	
11	50767	Pin	See Note		T		
12	01010	Spacer	1			X	
13	55021	Rotor	1				X
14	01185	Vanes (4/Pkg.)	1	T			
15	01028	Cylinder	1			X	
16	See Note	Rear Plate	1			X	
17	02649	Bearing	1		T		
18	01017	Pin	1		T		
19	01089	Safety Lever	1			X	
20	See Note	Housing	1				X
21	01004	Bushing	1			X	
22	01020	O-Ring	1		T		
23	01021	Valve Stem	1		T		
24	01022	Spring	1		T		
25	01023	Speed Regulator	1			X	
26	01024	O-Ring	1		T		
27	95288	O-Ring	1		T		
28	01026	Regulator Plug	1			X	
29	56022	Screen	1			X	
30	95711	Snap Ring	1		T		
31	96065	O-Ring	1		T		
32	01486	Felt Silencer	4	T			
33	01446	Air Deflector	1			X	
34	95620	Retaining Ring	1		T		
35	01578	Inlet Adapter	1				X
36	See Note	Insulation Sleeve	1			X	

Note: Please refer to page 4 of tool manual for specific part number.

LEGEND

T	Included in Tune-Up Kit
X	Type of wear, no other comments apply.
L	Easily lost. Care during assembly/disassembly.
D	Easily damaged during assembly/disassembly.
R	Replace each time tool is disassembled.



Tune-Up Kit
Part No. 98623

Notice

All Dynabrade motors use the highest quality parts and metals available and are machined to exacting tolerances. The failure of quality pneumatic motors can most often be traced to an unclean air supply or the lack of lubrication. Air pressure easily forces dirt or water contained in the air supply into motor bearings causing early failure. It often scores the cylinder walls and the rotor blades resulting in limited efficiency and power. Our warranty obligation is contingent upon proper use of our tools and cannot apply to equipment which has been subjected to misuse such as unclean air, wet air or a lack of lubrication during the use of this tool.

Optional Accessories

FIND THE MOST CURRENT OFFERING OF SUPPORT DOCUMENTS AND ACCESSORIES AT WWW.DYNABRADE.COM



Dynabrade Air Lube

- Formulated for pneumatic equipment.
- Absorbs up to 10% of its weight in water.
- Prevents rust and formation of sludge.
- Keeps pneumatic tools operating longer with greater power and less down time.

Part No. 95842: 1pt. (473 ml)

Part No. 95843: 1 gal. (3.8 L)



Lock Ring Wrench

- Has a 3/8" square socket for use with 3/8" drive; breaker bar, ratchet head, or torque wrenches.

Part No. 50971



Split Blade Wrench

- Used to loosen or tighten regulator plug.
- Tool has a 1/4" square socket for use with 1/4" drive; breaker bar, ratchet head, or torque wrenches.

Part No. 95900



Press Tool

- Used to install bearings.

Part No. 96241



Bearing Separator

- Use the separator to remove gears and bearings.

Part No. 96346



Motor Tune-Up Kit

- Includes assorted parts to help maintain and repair motor.

Part No. 98623



Drop-In Motor

- Allows quick and easy replacement.
- No motor adjustments needed.

Part No. 01717 – Model 53811

Part No. 01346 – Model 53812



Composite-Style Coupler

- Lightweight 1.4 oz. (.05 Kg), non-marring composite material.
- Easy connect/disconnect by single push-button action.
- Shock-proof, low-vibration, crush-resistant.

Part No. 94960 – 1/4" Female NPT

Part No. 94980 – 1/4" Male NPT



Male Plug

- Provides up to twice the air flow compared to standard plug design.
- Plug has "ported" design to prevent "starving" of the air tool.

Part No. 95675



Collet Insert

- Increase the utility of your die grinder.

Part No. 50014 – 3/8"

Reference Contact Information

1. American National Standards Institute – ANSI

25 West 43rd Street
Forth Floor
New York, NY 10036
Tel: 1 (212) 642-4900
Fax: 1 (212) 398-0023

3. European Committee for Standardization

Rue de Stassart 36
B - 1050 Brussels, Belgium

2. Government Printing Office – GPO

Superintendent of Documents
Attn. New Orders
P.O. Box 371954
Pittsburgh, PA 15250-7954
Tel: 1 (202) 512-1803

Visit Our Web Site: www.dynabrade.com

Email: Customer.Service@Dynabrade.com



DYNABRADE, INC., 8989 Sheridan Drive • Clarence, NY 14031-1490 • Phone: (716) 631-0100 • Fax: 716-631-2073 • International Fax: 716-631-2524
DYNABRADE EUROPE S.à.r.l., Zone Artisanale • L-5485 Wormeldange—Haut, Luxembourg • Telephone: 352 76 84 94 1 • Fax: 352 76 84 95 1

©DYNABRADE, INC., 2009

PRINTED IN USA