

# 1 hp Cone or Plug Grinder

## 6" Extension, Governor Controlled

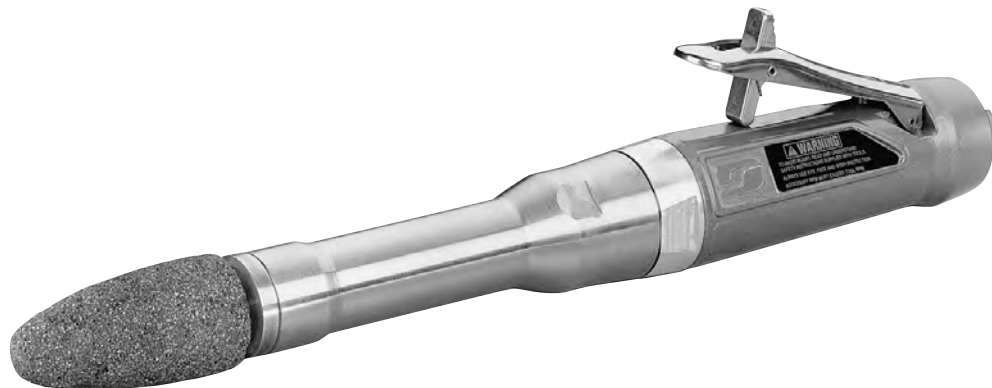
Parts Page Reorder No. PD02•26R  
Effective May, 2002  
Supersedes PD02•26

### Air Tool Manual – Safety, Operation and Maintenance

SAVE THIS DOCUMENT, EDUCATE ALL PERSONNEL

#### Models:







- 52719 – 12,000 RPM**
- 52720 – 15,000 RPM**
- 52721 – 18,000 RPM**
- 52722 – 20,000 RPM**



## ⚠ WARNING

Read and understand this tool manual before operating your air tool. Follow all safety rules for the protection of operating personnel as well as adjacent areas. Always operate, inspect and maintain this tool in accordance with the American National Safety Institute (ANSI) Safety Code for Portable Air Tools – B186.1. For additional safety information, refer to Safety Requirements for the Use, Care and Protection of Abrasive Wheels – ANSI B7.1, Code of Federal Regulation – CFR 29 Part 1910, European Committee for Standards (EN) Hand Held Non-Electric Power Tools – Safety Requirements and applicable State and Local Regulations.

## SAFETY LEGEND

	<b>⚠ WARNING</b> Read and understand tool manual before work starts to reduce risk of injury to operator, visitors, and tool.	<b>⚠ WARNING</b> Practice safety requirements. Work alert, have proper attire, and do not operate tools under the influence of alcohol or drugs.	
	<b>⚠ WARNING</b> Eye protection must be worn at all times, eye protection to conform to ANSI Z87.1.	<b>⚠ WARNING</b> Ear protection to be worn when exposure to sound, exceeds the limits of applicable Federal, State or local statutes, ordinances and/or regulations.	
	<b>⚠ WARNING</b> Respiratory protection to be used when exposed to contaminants that exceed the applicable threshold limit values required by law.	<b>⚠ WARNING</b> Air line hazard, pressurized supply lines and flexible hoses can cause serious injury. Do not use damaged, frayed or deteriorated air hoses and fittings.	

### SAFETY INSTRUCTIONS

Carefully Read all instructions before operating or servicing any Dynabrade® Abrasive Power Tool.

Products offered by Dynabrade are not to be modified, converted or otherwise altered from the original design without expressed written consent from Dynabrade, Inc.

**Tool Intent:** Extension Cone or Plug Grinders are ideal for smoothing weld seams, cleaning castings and preparing surfaces for plating or painting.

**Do Not Use Tool For Anything Other Than Its Intended Applications.**

**Training:** Proper care, maintenance, and storage of your tool will maximize its performance.

- Employer's Responsibility – Provide extension cone or plug grinder operators with safety instructions and training for safe use of tools and accessories.

#### Accessory Selection:

- Abrasive/accessory RPM (speed) rating MUST be approved for AT LEAST the tool RPM rating.
- Before mounting an accessory, visually inspect for defects. Do not use defective accessories.
- Mount only recommended accessories. See back page of manual and Dynabrade catalog.
- Follow tool specifications before choosing size and type of accessory.
- Only use recommended fittings and air line sizes. Air supply hoses and air hose assemblies must have a minimum working pressure rating of 150 PSIG (10 bars, g) or 150 percent of the maximum pressure produced in the system, whichever is higher. (See tool Machine Specifications table.)
- DO NOT use – cut off wheels or router bits.

### OPERATING INSTRUCTIONS

**Warning:** Always wear eye protection. Operator of tool is responsible for following: accepted eye, face, respiratory, hearing and body protection.

(continued on next page)

**OPERATING INSTRUCTIONS (continued)**

**Caution:** Hand, wrist and arm injury may result from repetitive work, motion and overexposure to vibration.

- Keep hand and clothing away from working end of the air tool.

**Operation:** Be sure that any loose clothing, hair and all jewelry is properly restrained.

- Secure inlet bushing on air tool with a wrench before attempting to install the air fitting to avoid damaging housing assembly.
- Check tool RPM (speed) with tachometer with air pressure set at 90 PSIG while the tool is running. If tool is operating at a higher speed than the RPM marked on the tool housing, or operating improperly, the tool must be serviced and corrected before use.

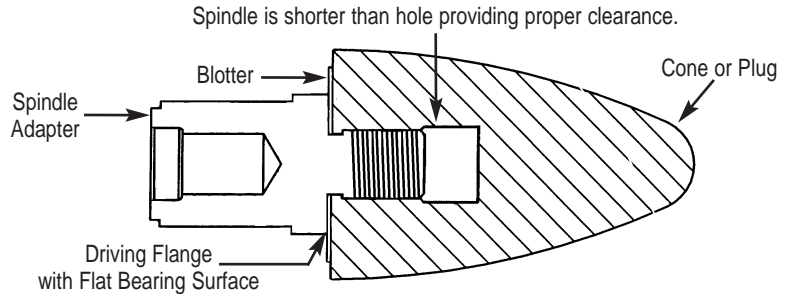
**Caution:** Tool RPM must never exceed abrasive/accessory RPM rating. Check accessory manufacturer for details on maximum operating speed or special mounting instructions.

- With power source disconnected from air tool, mount types 16, 17, 18, 18R and 19 Cone and plug wheels onto 3/8"-24 UNF-2A Spindle thread.

**CONE or PLUG MOUNTING**

Typical Mounting for Cone or Plug Wheels

- Blotters must cover at least the adapter surface as shown.
- A blotter (compressible washer) shall always be used between the abrasive cone or plug surface and the adapter to ensure uniform distribution of pressure.
- Blotters shall cover the entire adapter contact area.
- New blotters shall be used each time a wheel is mounted unless blotters are affixed to the cone or plug by the manufacturer.



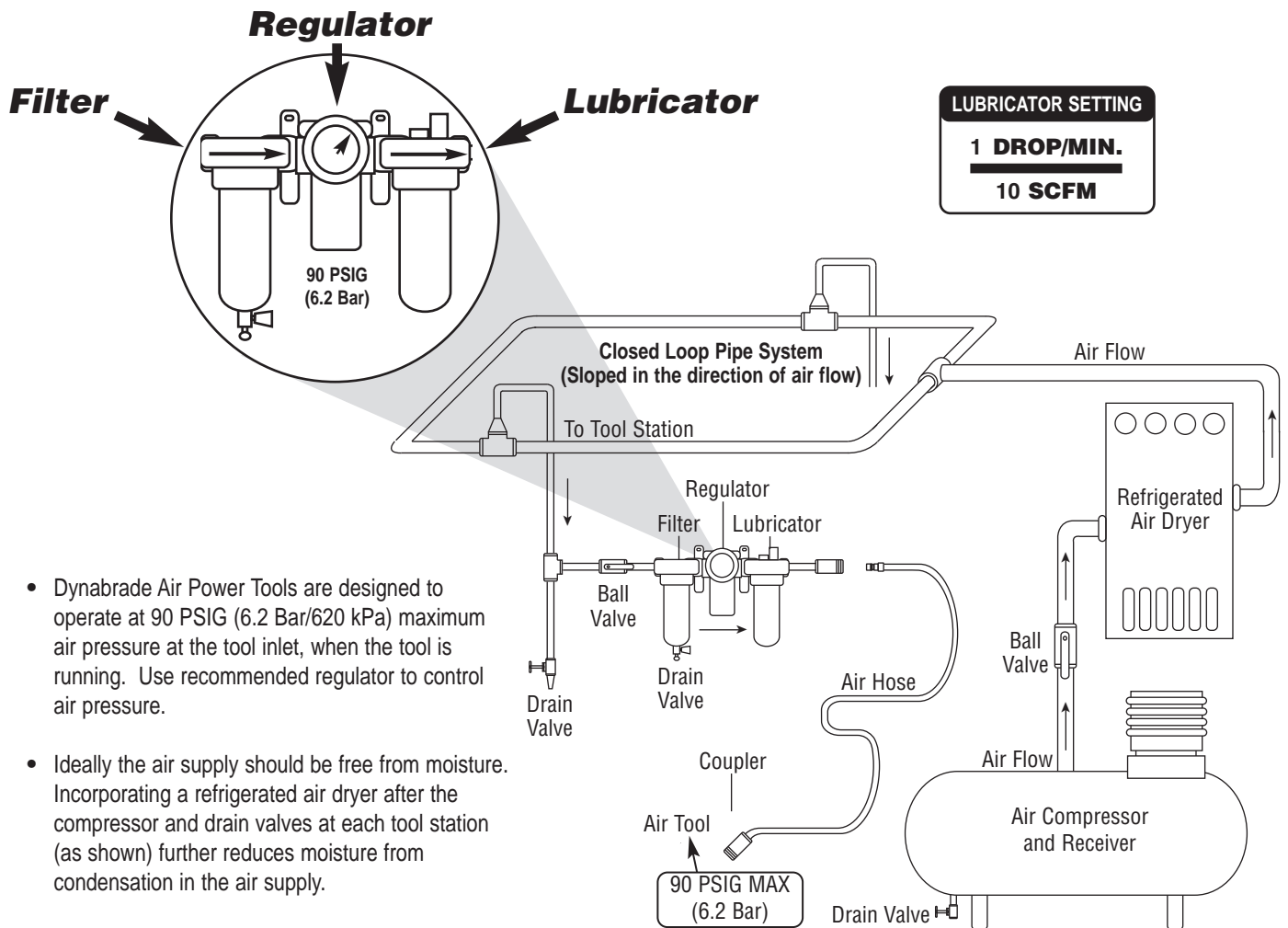
- Connect air tool to power source. Be careful NOT to depress throttle lever in the process. **Do not expose air tool to inlet pressure above 90 PSIG or (6.2 Bars).**

**Caution:** After installing the accessory, before testing or use and/or after assembling tool, the extension cone or plug grinder must be started at a reduced speed to check for good balance. Gradually increase tool speed. DO NOT USE if tool vibration is excessive. Correct cause, and retest to insure safe operation.

- Make sure that work area is uncluttered, and visitors are at a safe range from the tools and debris.
- Use a vise or clamping device to hold work piece firmly in place.
- Do not apply excessive force on tool or apply "rough" treatment to it.
- Always work with a firm footing, posture and proper lighting.

Report to your supervisor any condition of the tool, accessories, or operation you consider unsafe.

**Air System**



- Dynabrade Air Power Tools are designed to operate at 90 PSIG (6.2 Bar/620 kPa) maximum air pressure at the tool inlet, when the tool is running. Use recommended regulator to control air pressure.
- Ideally the air supply should be free from moisture. Incorporating a refrigerated air dryer after the compressor and drain valves at each tool station (as shown) further reduces moisture from condensation in the air supply.

## Maintenance Instructions

**Important:** A Preventative Maintenance Program is recommended whenever portable power tools are used.

- Use only genuine Dynabrade® replacement parts to insure quality. To order replacement parts, specify **Model#**, **Serial#** and **RPM** of your air tool.
- All Dynabrade Rotary Vane air tools must be used with a Filter-Regulator-Lubricator to maintain all warranties. Dynabrade recommends the following: **11411** Air Filter-Regulator-Lubricator (FRL) – Provides accurate air pressure regulation and two stage filtration of water contaminants. Operates 55 SCFM/1,558 LPM @ 100 PSIG with 1/2" NPT female ports.
- Dynabrade recommends one drop of air lube per minute for each 10 SCFM (example: if the tool specification states 40 SCFM, set the drip rate on the filter-lubricator to 4 drops per minute). Dynabrade Air Lube (P/N **95842**: 1 pt 473 ml) is recommended.

**Routine Preventative Maintenance:** Check free speed of Extension Cone or Plug Grinder using a tachometer. This governor controlled grinder should be speed checked every 20 hours of use or weekly, whichever occurs more frequently.

- **DO NOT** disassemble the governor for any reason. Reorder correct speed – governor assembly (See Assembly Breakdown) and recheck free speed of tool with a tachometer.
- Periodically remove the accessory and clean the adapter from debris to keep accessories secure and reduce vibration.
- Mineral spirits are recommended when cleaning the tool and parts. Do not clean tool or parts with any solvents or oils containing acids, esters, ketones, chlorinated hydrocarbons or nitro carbons.
- **DO NOT** clean or maintain tools with chemicals that have a low flash point (example: WD-40®).
- A Motor Tune-Up Kit (P/N **96532**) is available which includes high wear and medium wear motor parts.
- Air tool labels must be kept legible at all times, if not, reorder label(s) and replace. User is responsible for maintaining specification information i.e.: Model #, S/N, and RPM. (See Assembly Breakdown)
- Blow air supply hose out prior to initial use.
- Visually inspect air hoses and fittings for frays, visible damage and signs of deterioration. Replace damaged or worn components.
- Refer to Dynabrade's Warning/Safety Operating Instructions Tag (Reorder No. **95903**) for safety information.

After maintenance is performed on tool, add a few drops of Dynabrade Air Lube (P/N **95842**) to the air line and start the tool a few times to lubricate air motor. Check for excessive tool vibration.

### Handling and Storage:

- Use of tool rests, hangers and/or balancers is recommended.
- Protect tool inlet from debris (See Notice Below).
- **DO NOT** carry tool by air hose or near the tool throttle lever.
- Protect abrasive accessories from exposure to water, solvents, high humidity, freezing temperature and extreme temperature changes.
- **DO NOT USE** cone or plugs that have been dropped or show signs of cracks, nicks or other defects.
- Store accessories in protective racks or compartments to prevent damage.

## Machine Specifications

Model Number	Motor HP (W)	Motor RPM	Sound Level	Maximum Air Flow CFM/SCFM (LPM)	Spindle Thread	Air Pressure PSIG (Bars)	Weight Pound (kg)	Length Inch (mm)	Height Inch (mm)
52719	1.0 (746)	12,000	82 dB(A)	5/38 (1,076)	3/8"-24 male	90 (6.2)	3.3 (1.5)	13-1/4 (335)	1-7/8 (48)
52720	1.0 (746)	15,000	83 dB(A)	5/39 (1,104)	3/8"-24 male	90 (6.2)	3.3 (1.5)	13-1/4 (335)	1-7/8 (48)
52721	1.0 (746)	18,000	81 dB(A)	6/40 (1,133)	3/8"-24 male	90 (6.2)	3.4 (1.5)	14-3/8 (365)	1-7/8 (48)
52722	1.0 (746)	20,000	80 dB(A)	6/44 (1,256)	3/8"-24 male	90 (6.2)	3.4 (1.5)	14-3/8 (365)	1-7/8 (48)

Additional Specifications: Air Inlet Thread 3/8" NPT • Hose Size 3/8" (10 mm)

### Notice

All Dynabrade motors use the highest quality parts and metals available and are machined to exacting tolerances. The failure of quality pneumatic motors can most often be traced to an unclean air supply or the lack of lubrication. Air pressure easily forces dirt or water contained in the air supply into motor bearings causing early failure. It often scores the cylinder walls and the rotor blades resulting in limited efficiency and power. Our warranty obligation is contingent upon proper use of our tools and cannot apply to equipment which has been subjected to misuse such as unclean air, wet air or a lack of lubrication during the use of this tool.

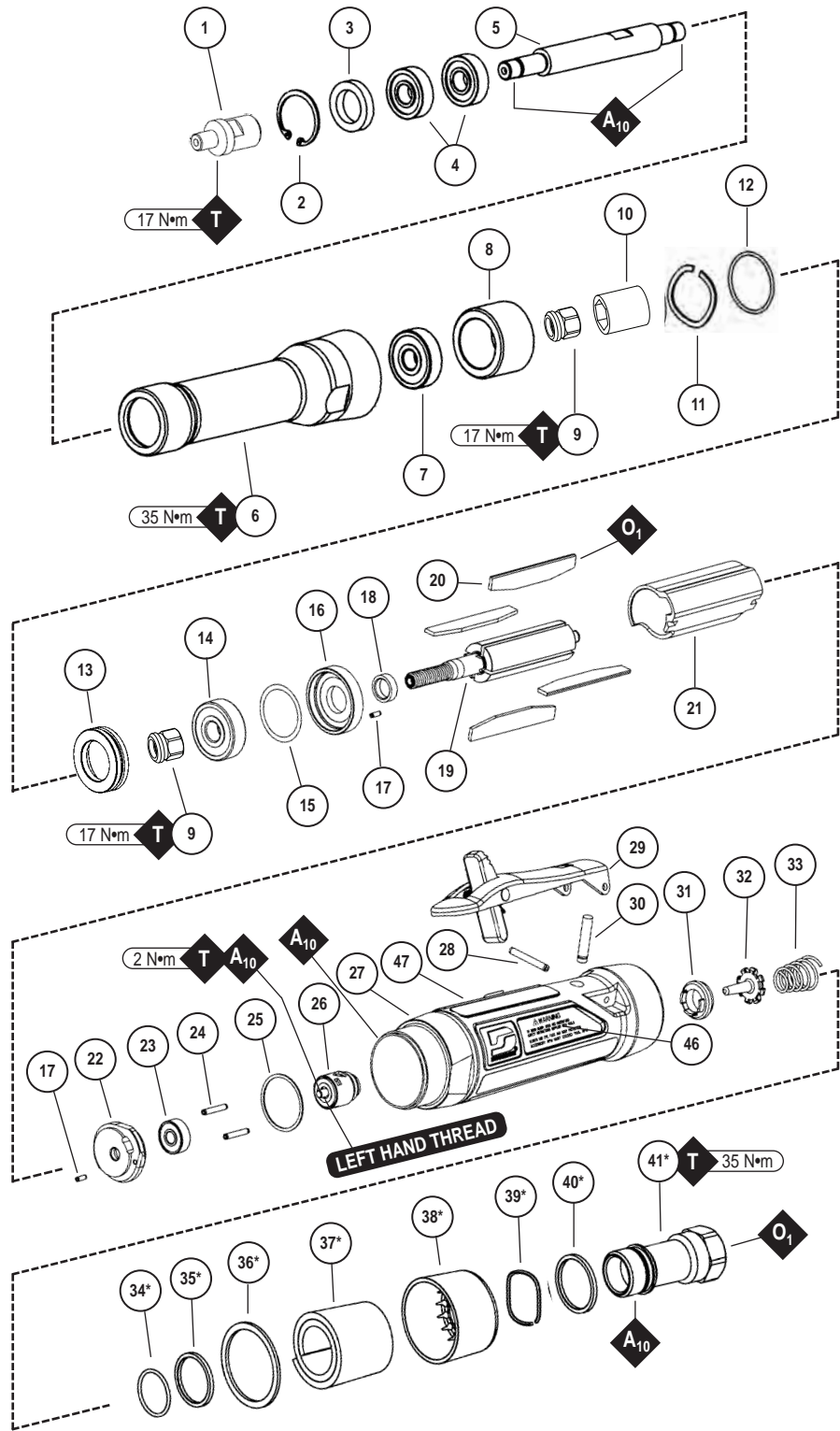
### One Year Warranty

Following the reasonable assumption that any inherent defect which might prevail in a product will become apparent to the user within one year from the date of purchase, all equipment of our manufacture is warranted against defects in workmanship and materials under normal use and service. We shall repair or replace at our factory, any equipment or part thereof which shall, within one year after delivery to the original purchaser, indicate upon our examination to have been defective. Our obligation is contingent upon proper use of Dynabrade tools in accordance with factory recommendations, instructions and safety practices. It shall not apply to equipment which has been subject to misuse, negligence, accident or tampering in any way so as to affect its normal performance. Normally wearable parts such as bearings, contact wheels, rotor blades, etc., are not covered under this warranty.

# 1 Hp Extension Cone or Plug Grinder Complete Assembly Breakdown

Index Key		
No.	Part #	Description
1	53610	Adapter
2	96512	Retainer Ring
3	51956	Felt Seal
4	01007	Bearing (2)
5	51955	Spindle Extension
6	51952	Handle Extension
7	54520	Bearing
8	51982	Spacer
9	51969	Coupling Nut (2)
10	50902	Coupler
11	96498	Wave Spring
12	95438	O-Ring
13	53620	Adapter
14	54520	Bearing
15	51951	Shim Pack
16	51922	Front Bearing Plate
17	96441	Pin (2)
18	51927	Spacer
19	51921	Rotor
20	51926	Blade (4/Pkg.)
21	51925	Cylinder
22	51923	Rear Bearing Plate
23	02057	Bearing
24	96445	Pin (2)
25	51924	Gasket
26	<b>Governor Assembly</b>	
	51930	12,000 RPM Models
	51931	15,000 RPM Models
	51932	18,000 RPM Models
	51933	20,000 RPM Models
27	<b>All Housings Include:</b>	
	Warning & Specification Labels	
	53742	Housing – Model 52719
	53743	Housing – Model 52720
	53744	Housing – Model 52721
	53745	Housing – Model 52722
28	96444	Pin
29	51949	Safety Lever Assembly
30	51946	Valve Stem Assembly (Incl. 96443 O-Ring)
31	51945	Valve Seat
32	51944	Tip Valve
33	51943	Spring
34*	96442	O-Ring
35*	51940	Spacer
36*	53682	Gasket
37*	94528	Felt Silencer
38*	53686	Muffler Cap
39*	94924	Wave Spring
40*	53683	Spacer
41*	53681	Inlet Bushing (Incl. 2 – 51938 Screens)

\* Note: All parts indicated by an asterisk are included in 53655 Muffler Assembly.



Label Key		
No.	Part #	Description
46	00001180	Warning Label
47	00001181	Specification Label

KEY	
<b>O</b>	Oil: O <sub>1</sub> = Air Lube
<b>A</b>	Adhesive: A <sub>10</sub> = Loctite #243
<b>T</b>	Torque: N•m x 8.85 = In. - lbs.
Always follow adhesive manufacturers cleaning and priming recommendations.	

## **Disassembly Instructions - 1 Hp Extension Cone or Plug Grinder**

**Important:** Manufacturer's warranty is void if tool is disassembled before warranty expires.

**Disconnect tool from power source before tool repair.**

### **Motor Disassembly:**

1. Secure front end of housing in a padded vise, align the vise jaws with machined flat on the silver ring.
2. Apply wrench at wrench flats on **51952** Extension Handle to remove **51952** Extension Handle from housing.
3. Slide **51982** Bearing Spacer and spindle assembly through rear of **51952** Extension Handle.
4. Remove **96512** Retaining Ring from front of extension handle and remove **51956** Felt Seal.
5. Secure **51955** Spindle at wrench flats, and remove **53610** Adapter and **51935** Coupler.
6. Secure **01007** Bearing and press **51955** Spindle through both **01007** Bearings.
7. Secure **54520** Bearing and press **51955** Spindle through **54520** Bearing.
8. Remove **96498** Wave Spring.
9. Pull motor assembly from housing assembly, and remove **53620** Motor Adapter with **95438** O-Ring.
10. Remove governor assembly by using a slotted screw driver. **(LEFT HAND THREAD)**
11. Using **96209** Repair Collar (**ordered separately**) secure **51925** Cylinder and place a 1/8" (3 mm) drift pin to the base of the internal thread and press the **51921** Rotor from the **02057** Rear Bearing.
12. Slide **02057** Rear Bearing from **51923** Rear Bearing Plate.
13. Remove **51925** Cylinder and **51926** Blades.
14. Secure **51921** Rotor in a padded vise and remove **51935** Extension Coupler (twist counterclockwise).
15. Slide **51922** Front Bearing Plate and **51927** Rotor Spacer from **51921** Rotor.
16. Slide **54520** Bearing and shims from **51922** Front Bearing Plate.

**Motor Disassembly Complete.**

### **Housing Disassembly:**

1. Secure housing using **51989** Repair Collar (**see back cover for Optional Accessories**).
2. Remove inlet bushing (twist counterclockwise).
3. Models **52719** & **52720**; Remove **51943** Spring, **96442** O-Ring, **51940** Spacer and **51939** Silencer Plate from **51937** Inlet Bushing. Remove **51941** spring and **51942** Baffle from housing.
4. Models **52721** & **52722**; Remove **53682** Gasket, **51943** Spring, **96442** O-Ring, **51940** Spacer, **94528** Felt Silencer, **53686** Muffler Cap, **94924** Wave Spring and **53683** Spacer from **53681** Inlet Bushing.
5. Remove **51944** Tip Valve and **51945** Valve Seat.
6. Remove housing and **51989** Repair Collar and lay repair collar on bench with flange facing down so the collar is supported by throttle lever. Place a 3/32" (2.4 mm) drift pin on **96444** Pin and tap pin thru housing.
7. Remove **51946** Valve Stem Assembly. Remove **96443** O-Ring from **51946** Valve Stem Assembly.

**Housing Disassembly Complete.**

## **Assembly Instructions - 1 Hp Extension Cone or Plug Grinder**

### **Motor Assembly:**

**Important:** Be sure parts are clean and in good repair before assembling. Follow grease, oil and torque specifications.

1. Place **51921** Rotor into padded vise with male thread facing upwards.
2. Slip **51927** Rotor Spacer over rotor shaft and down against rotor body face.
3. Press **96441** Coiled Pin into **51922** Front Bearing Plate. Make certain, coiled pin does not protrude beyond internal bearing surface.
4. Place a .002" shim into the base of **51922** Front Bearing Plate as an initial spacing and slide **54520** Bearing to the front plate base. **Note:** **51951** Shim Pack contains .001" and .002" shims.
5. Slip bearing/bearing plate assembly onto rotor. Add one drop of Loctite® #243 (or equiv.) to **51921** Rotor 3/8"-24 male thread, and screw, torque **51935** Extension Coupler onto rotor shaft. Torque to 17 N•m (150 lb.-in.).
6. Check clearance between rotor and front bearing plate by using a .001" feeler gauge. Clearance should be between .001" – .0015". Adjust clearance by repeating steps 4 and 5 with different shims if necessary.
7. Once proper rotor gap clearance is achieved, install well lubricated **51926** Blades (4) into rotor slots. Dynabrade recommends lubricating blades with **95842** Air Lube.
8. Install **51925** Cylinder over rotor and front plate raised boss. Align coiled pin on front to cylinder slot.
9. Press **96441** Coiled Pin into blind hole on **51923** Rear Bearing Plate. Press (2) **96445** Coiled Pins into the back side of rear bearing plate.
10. Peel backing off **51924** Gasket and align it firmly in place onto **51923** Rear Bearing Plate.
11. Place **51923** Rear Bearing Plate over rotor mandrel and insert raised boss on rear bearing plate into cylinder diameter, while inserting short coiled pin into cylinder slot. Be sure inlet slot on rear bearing plate line up with inlet slot on cylinder. To correct alignment flip cylinder end to end and repeat steps 8 & 9 for correct assembly.

## Assembly Instructions - (Continued)

**Important: Manufacturer's warranty is void if tool is disassembled before warranty expires.**

**Please refer to parts breakdown for part identification.**

12. Using **96243** Bearing Press Tool (*ordered separately*) press **02057** Bearing onto rotor and onto **51923** Rear Bearing Plate until it is seated. **Important:** Cylinder must fit snug between bearing plates. If too tight, rotor will not turn freely. Rotor must be lightly tapped at press fit end until rotor spins freely while still maintaining a snug fit. A loose fit will not achieve the proper preload on motor bearing. (*While pressing 02057 Bearing, make certain to contact inner race of bearing only.*)
13. Add one drop of Loctite® 243 (or equiv.) to governor assembly male thread and screw governor assembly onto place (**LEFT HAND THREAD**) with a slotted screw driver. Torque to 2 N•m (18 lb.-in.).
14. Install motor assembly into housing, making sure motor drops all the way into housing. **Note:** Align both **96445** Coiled Pins to slots in insert and against **51924** Gasket.
15. Insert **95438** O-Ring onto **53620** Adapter and slide adapter into housing and over **54520** Bearing.
16. Place **96498** Wave Washer onto **53620** Adapter.
17. Place **51936** Coupling Insert into **51935** Coupling. Make certain insert radii aligns with radii in coupling base, to correct alignment remove insert and rotate 90°.
18. Using **96244** Bearing Press Tool (*ordered separately*) press one **01007** Bearing on end of **51955** Extension Spindle that is further from the wrench flats, then repeat with second **01007** Bearing on same end of spindle. **Important:** While pressing **01007** Bearings, make certain to contact inner race of bearing only.
19. Press **54520** Bearing onto end of spindle that is closer to wrench flats. **Important:** While pressing **54520** Bearing, make certain to contact inner race of bearing only.
20. Secure spindle and apply Loctite® #243 (or equiv.) to external threads then torque **51935** Coupling on single bearing end to 17 N•m (150 lb.-in.).
21. On double bearing end, apply Loctite® #243 (or equiv.) to external threads and torque **53610** Adapter to 17 N•m (150 lb.-in.).
22. Install **51956** Felt Seal over **53610** Adapter.
23. Install **96512** Retaining Ring into groove inside **51952** Extension Handle.
24. Insert spindle assembly, with **53610** Adapter first, into larger diameter end of **51952** Extension Handle.
25. Insert **51982** Bearing Spacer into larger diameter end of extension handle.
26. Pull **51936** Coupling Insert half way off of **51935** Coupling.
27. Apply Loctite® 567 (or equiv.) to external threads just above machined flats on housing.
28. Align **51936** Coupling Insert onto **51935** Coupling in extension handle.
29. Thread housing assembly onto extension handle.
30. Secure front end of housing in a padded vise, align the vise jaws with machined flat on the silver ring.
31. Apply wrench at wrench flats on **51952** Extension Handle and torque handle onto housing to 35 N•m (310 lb.-in.).

**Motor Assembly Complete.**

### Housing Assembly:

1. Secure housing using **51989** Repair Collar. (*see back cover for Optional Accessories*) With flange facing downward.
2. Slide **96443** O-Ring onto **51946** Valve Stem and slide sub-assembly until o-ring passes through housing hole. Make certain valve stem assembly slides freely after the o-ring passes through the hole.
3. Install **51945** Valve Seat by aligning 3 male prongs with three deep slots on insert. Make certain valve seat is pressed flat against base of pocket. **Note:** Add a few drops of Dynabrade Air Lube (P/N **95842**) to pocket walls before inserting **51945** Valve Seat.
4. Install **51944** Tip Valve as shown.
5. **Models 52719 & 52720 Only:** Slide **51942** Baffle into housing long end in first, and place **51941** Spring into shallow wall end of baffle.
6. **Models 52719 & 52720 Only:** Pre-assemble **51937** Inlet Bushing by sliding **51939** Silencer Plate, **51940** Spacer over male thread and set **96442** O-Ring into groove at the base of thread. Slide **51943** Spring into bushing and up to the two **51938** Screens.
7. Pre-assemble muffler, slide **53683** Spacer over **53681** Inlet Bushing and up against the hex head base. Slide **94924** Wave Spring over **53681** Inlet Bushing and up against spacer. Pre-roll **94528** Felt and install it in **53686** Muffler Cap, support felt in felt/muffler cap assembly and slide **53681** Inlet Bushing thru the inside until the muffler cap assembly seats against **94924** Wave Spring. Flare the felt and place **52940** spacer over male thread, and set **96442** O-Ring into groove at the base of thread, return felt to unflared form.
8. Place **53682** Gasket over felt silencer and against **53686** muffler Cap.
9. Apply one drop of Loctite® #243 (or equiv.) to **51937** Inlet Bushing thread.
10. Align small inside diameter of **51943** Spring to cone point on **51944** Tip Valve and thread **51937** Inlet Bushing and sub-assembly into place. Torque bushing to 35 N•m (310 lb.-in.).
11. Remove housing from **51989** Repair Collar and replace repair collar onto the bench top with the part number identifier against the bench. Align the throttle lever holes to housing pin hole and rest the housing and throttle lever onto the legs of the repair collar. Press **96444** Coiled Pin into lever hole and center into housing.

**Tool Assembly Complete. Please allow 30 minutes for adhesives to cure before operating tool.**

**Important:** Before operating, place 2-3 drops of Dynabrade Air Lube (P/N **95842**) directly into inlet with throttle lever depressed. Operate tool for 30 seconds to allow Air Lube to properly lubricate internal motor components. Motor should now be tested for proper operation at 90 PSIG max. If tool operates at a higher RPM than marked on the tool or if vibration and sound levels seem abnormal, the tool should be serviced to correct the cause before use.

## Preventative Maintenance Schedule

For All 1Hp Extension Cone or Plug Grinders

This service chart is published as a guide to expectant life of component parts. The replacement levels are based on average tool usage over one year. Dynabrade Inc. considers one year usage to be 1,000 hours or 50% of a man year. Parts included in motor tune-up kit are identified by High Wear and Medium Wear items.

### Parts Common to all Models:

LEGEND	
<b>X</b>	Type of wear, no other comments apply.
<b>L</b>	Easily lost. Care during assembly/disassembly.
<b>D</b>	Easily damaged during assembly/disassembly.
<b>R1</b>	Replace each time tool is disassembled.
<b>R2</b>	Replace each second time tool is disassembled.



#### 96532 – 1 Hp. Motor Tune-Up Kit

- Tune-Up Kit includes high wear and medium wear motor parts.

Index #	Part Number	Description	Number Required	High Wear 100%	Medium Wear 70%	Low Wear 30%	Non-Wear 10%
1	53610	Adapter	1				X
2	96512	Retainer Ring	1				X
3	51956	Felt Seal	1		X		
4	01007	Bearing	2			X	
5	51955	Spindle Extension	1				X
6	51952	Handle Extension	1				X
7	54520	Bearing	1		X		
8	51982	Spacer	1				X
9	51969	Coupling Nut	2				X
10	50902	Coupler	1				X
11	96498	Wave Spring	1				L
12	95438	O-Ring	1		L		
13	53620	Adapter	1				X
14	54520	Bearing	1		X		
15	51951	Shim Pack (3/pkg)	1		L		
16	51922	Front Bearing Plate				X	
17	96441	Pin	2			X	
18	51927	Spacer	1		X		
19	51921	Rotor	1			X	
20	51926	Blade (4/pkg)	1	X			
21	51925	Cylinder	1			X	
22	51923	Rear Bearing Plate	1			X	
23	02057	Bearing	1		X		
24	96445	Pin	2			X	
25	51924	Gasket	1		X		
26	See Note	Governor Assembly					X
27	See Note	Housing (Incl. Labels)					X
28	96444	Pin	1		L		
29	51949	Safety Lever Assembly	1			X	
30	51946	Valve Stem Assembly (Incl. 96443 O-Ring)	1		X		
31	51945	Valve Seat	1				X
32	51944	Tip Valve	1		X		
33	51943	Spring	1				X
34	96442	O-Ring	1		L		
35	51940	Spacer	1				X
36	53682	Gasket	1				X
37	94528	Felt Silencer	1				X
38	53686	Muffler Cap	1				X
39	94924	Wave Spring	1				X
40	53683	Spacer	1				X
41	53681	Inlet Bushing (Incl. 2 – 51938 Screens)	1				X

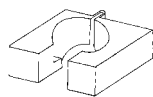
**Note:** Please refer to page 4 of tool manual for specific part number.

## Optional Accessories



### Dynaswivel®

- Swivels 360° AT TWO PIVOT POINTS allowing the air hose to drop directly to the floor while providing superb tool handling.
- 95461** – 3/8" NPT.



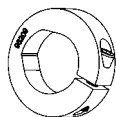
### 51989 Repair Collar

- Specially designed collar for use in vise to prevent damage to valve body of tool during disassembly/assembly.



### Dynabrade Air Lube

- Formulated for pneumatic equipment.
  - Absorbs up to 10% of its weight in water.
  - Prevents rust and formation of sludge.
  - Keeps pneumatic tools operating longer with greater power and less down time.
- 95842:** 1pt. (473 ml)  
**95843:** 1gal. (3.8 L)



### 96209 Motor Repair Clamp

- Specially designed clamp to secure motor cylinder before disassembly.



### 96005 Male Plug

- Provides up to twice the air flow compared to standard plug design.
- Plug has "ported" design to prevent "starving" of the air tool.



### 50971 Lock Ring Tool

- Lock Ring Tool has a 3/8 in. square socket for use with 3/8 in. drive; breaker bar, ratchet head, or torque wrenches.



### Bearing Press Tools

- Used to install bearings.
- 96243:** For installing **02057** Bearing.  
**96244:** For installing **01007** & **54520** Bearings.



**95262** – 14 mm open-end.



### 96532 Motor Tune-Up Kit

- Includes assorted parts to help maintain and repair motor.



### 01902 Drop-In Motor

- Allows quick and easy replacement. No motor adjustments needed.



### 53621 Over Hose Assembly

- Over Hose Assembly directs exhaust away from operator.



### Carbide Burr Kits

- Includes 12 burrs for grinding, deburring and finishing metal.
- 93350** – 1/4" Kit  
**93380** – 6 mm Kit



### Collet Inserts

- **50013** – 1/4"
- **50014** – 3/8"
- **50016** – 6 mm
- **50039** – 8 mm



- **50010** – 1/4" Collet Assembly.
- **50015** – 6 mm Collet Assembly.



### 53690 Extension Grip

- Provides added ergonomic comfort and control when handling tool.



### 30335 Air Supply Hose

- 3/8 in. I.D. x 60 in. Wide air supply hose, includes: 3/8 in. NPT male and female threaded fittings.



### 53652 Spindle Adapter

- Converts standard spindle to accept 5/8 -11 Cone or Plugs.

## Reference Contact Information

### 1. American National Safety Institute – ANSI

25 West 43<sup>rd</sup> Street  
Fourth Floor  
New York, NY 10036  
Tel: 1 (212) 642-4900  
Fax: 1 (212) 398-0023

### 2. Government Printing Office – GPO

Superintendent of Documents  
Attn. New Orders  
P.O. Box 371954  
Pittsburgh, PA 15250-7954  
Tel: 1 (202) 512-1803

### 3. European Committee for Standardization

Rue de Stassart 36  
B - 1050 Brussels, Belgium

Visit Our Web Site: [www.dynabrade.com](http://www.dynabrade.com)

Email: [Customer.Service@Dynabrade.com](mailto:Customer.Service@Dynabrade.com)



**DYNABRADE, INC.,** 8989 Sheridan Drive • Clarence, NY 14031-1490 • Phone: (716) 631-0100 • Fax: 716-631-2073 • International Fax: 716-631-2524  
**DYNABRADE EUROPE S.à.r.l.,** Zone Artisanale • L-5485 Wormeldange—Haut, Luxembourg • Telephone: 352 76 84 94 1 • Fax: 352 76 84 95 1

© DYNABRADE, INC., 2002

PRINTED IN USA