

Models:

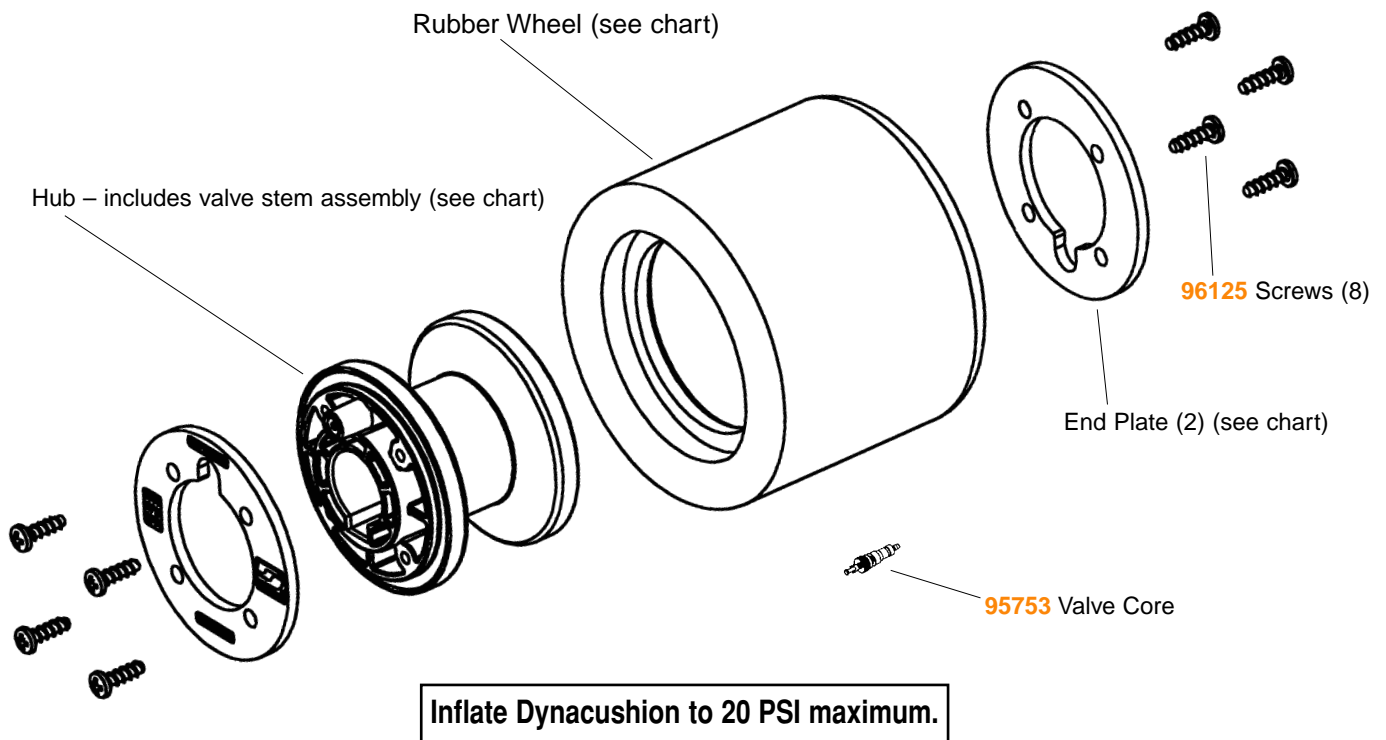
- | | |
|--------------|--------------|
| 94471 | 94495 |
| 94472 | 94496 |
| 94473 | 94497 |
| 94492 | 94498 |
| 94493 | 94507 |
| 94494 | 94508 |

Dynacushion® Composite Hub

Pneumatic Wheel

⚠ WARNING

Always operate, inspect and maintain this tool in accordance with the Safety Code for portable air tools (ANSI B186.1) and any other applicable safety codes and regulations. Please refer to Dynabrade's Warning/Safety Operating Instructions for more complete safety information.



Dynacushion Pneumatic Wheel / Unit = 10 Wheels

Model	Size	Arbor	Belt Size	Rubber Wheel Only	Hub With Valve Stem	End Plate (2 Req.)	End Plate Screws (8 Req.)	Maximum R.P.M.
94471*	5" D x 3-1/2" W	3/4"-5/8" Bore	3-1/2" (89 mm) W x 15-1/2" (394 mm) L	94481	94488	94548	96215	3,500
94472	5" D x 3-1/2" W	5/8"-11 Th	3-1/2" (89 mm) W x 15-1/2" (394 mm) L	94481	94487	94549	96215	
94473	5" D x 3-1/2" W	3/4" Bore	3-1/2" (89 mm) W x 15-1/2" (394 mm) L	94481	94488	94550	96215	
94492	5" D x 2-3/4" W	5/8"-11 Th	2-3/4" (70 mm) W x 15-1/2" (394 mm) L	94482	94487	94553	96215	
94493	5" D x 2-3/4" W	3/4" Bore	2-3/4" (70 mm) W x 15-1/2" (394 mm) L	94482	94488	94554	96215	
94494*	5" D x 2-3/4" W	3/4"-5/8" Bore	2-3/4" (70 mm) W x 15-1/2" (394 mm) L	94482	94488	94555	96215	
94495	100 mm D x 90 mm W	3/4" Bore	100 mm W x 289 mm L	94480	94516	94544	96215	7,000
94496	100 mm D x 90 mm W	5/8" Bore	100 mm W x 289 mm L	94480	94516	94545	96215	
94497	100 mm D x 90 mm W	5/8"-11 Th	100 mm W x 289 mm L	94480	94514	94546	96215	
94498	3-1/4" D x 3" W	3/4" Bore	3" (76 mm) W x 10-11/16" (271 mm) L	94500	94516	94556	96215	
94507*	3-1/4" D x 3" W	3/4"-5/8" Bore	3" (76 mm) W x 10-11/16" (271 mm) L	94500	94516	94542	96215	
94508	3-1/4" D x 3" W	5/8"-11 Th	3" (76 mm) W x 10-11/16" (271 mm) L	94500	94514	94543	96215	

* Note: 5/8" Bore - Includes two (2) 94588 Arbor Adapters (3/4" to 5/8" dia.).

See reverse side for Abrasive Belt and Accessory information.

Dynacushion® Abrasive Belts

Coated Aluminum Oxide				Coated Alumina Zirconia (Dynacut)				New Non-Woven Nylon Belts				
Belt Width Inch (mm)	Abrasive Grit			Belt Width Inch (mm)	Abrasive Grit			Belt Width Inch (mm)	Abrasive Grade			
	120	180	320		40	60	80	120		Very Fine	Medium	Coarse
10-11/16" (271 mm) Long				7-1/4" (184 mm) Long				10-11/16" (271 mm) Long				
7" (178)	90600	90601	90602	3" (76)	90630	90631	90632	90633	3" (76)	94100	94101	94102
15-1/2" (394 mm) Long				10-11/16" (271 mm) Long				15-1/2" (394 mm) Long				
7" (178)	90603	90604	90605	3" (76)	92100	92101	92102	92103	2-3/4" (70)	94115	94116	94117
26-5/16" (668 mm) Long				15-1/2" (394 mm) Long				15-1/2" (394 mm) Long				
9" (229)	90606	90607	90608	2-3/4" (70)	–	90017	90018	90020	3-1/2" (89)	94118	94119	94120
				3-1/2" (89)	–	90272	90273	90275				

3M Scotch-Brite® Abrasive Impregnated Non-Woven Nylon Belts

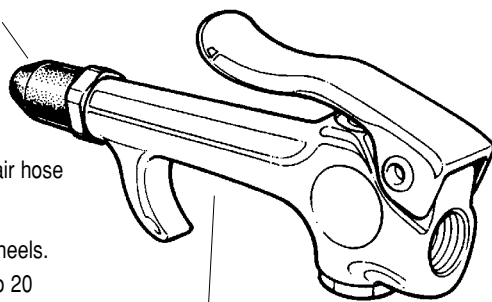
Belt Width Inch (mm)	Type T/Polishing	Abrasive Grade/Grit Equivalent				
		Super Fine/Grey/320-600	Very Fine/Blue/220-320	Medium/Maroon/150-180	Coarse/Brown/80-150	SE Coarse
10-11/16" (271 mm) Long						
3" (76)	–	90219	90237	90238	90239	–
15-1/2" (394 mm) Long						
2-3/4" (70)	–	90013	90021	90022	90023	–
3-1/2" (89)	90051	90014	90281	90282	90283	90278

Optional Accessories

94465 Wheel Inflation Tool

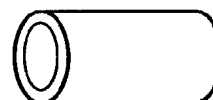
95633 Nozzle Assembly

- Tool has 1/4" female thread; fits 1/4" NPT air hose for easy, controlled inflation/deflation of pneumatic back-up wheels.
- Inflate Dynacushion to 20 PSI maximum.
- 95633 Nozzle Replacement available



94459 Blow Gun Assembly

Adapter Sleeve



- Allows 94473, 94493, 94495, And 94498 Dynacushion with 3/4" bore to fit different size arbors.
 - Sleeve fits inside wheel's 3/4" bore.
- 13038: For 14 mm diameter arbor.
 13039: For 1/2" diameter arbor.
 13040: For 5/8" diameter arbor.

Note: To order replacement parts specify the model number of your Pneumatic Wheel.
Warning: Hand, wrist and arm injury may result from repetitive work motion and overexposure to vibration.

Visit Our Web Site: www.dynabrade.com

Email: Customer.Service@Dynabrade.com



DYNABRADE, INC., 8989 Sheridan Drive • Clarence, NY 14031-1490 • Phone: (716) 631-0100 • Fax: 716-631-2073 • International Fax: 716-631-2524
DYNABRADE EUROPE S.à.r.l., Zone Artisanale • L-5485 Wormeldange—Haut, Luxembourg • Telephone: 352 76 84 94 1 • Fax: 352 76 84 95 1
 ©DYNABRADE, INC., 2002 PRINTED IN USA