

Foot Pedal & Hose Assembly

Model: **80015**

Dynabrade Accessories

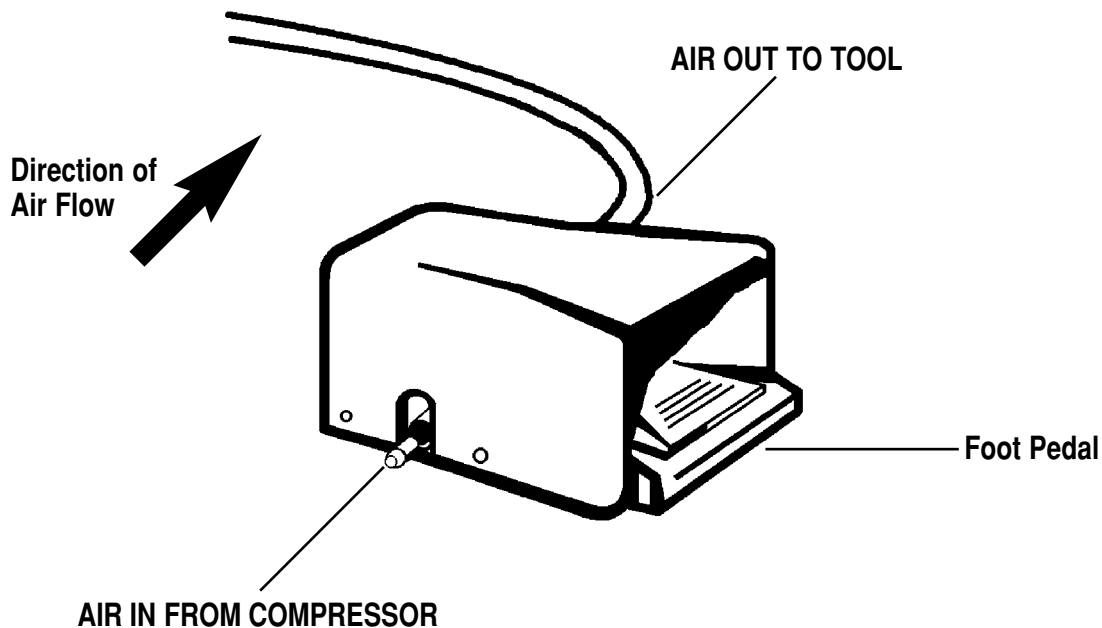
! WARNING

Always operate, inspect and maintain this tool in accordance with the Safety Code for portable air tools (ANSI B186.1) and any other applicable safety codes and regulations. Please refer to Dynabrade's Warning/Safety Operating Instructions for more complete safety information.

80015 Foot Pedal and Hose Assembly:

- Connects to bench-mounted air tool; provides on/off foot control of air tool operation.
- Includes **11291** Foot Pedal and **11292** eight-foot hose assembly (3/8" I.D. x 11/16" O.D.) with two 1/4" NPT male fittings.
- Air Inlet is a 1/4" NPT female port.
- Depress foot pedal to activate air flow.

Note: Maximum of 75 SCFM and 125 PSIG at air inlet.



Visit Our Web Site: www.dynabrade.com

Email: Customer.Service@Dynabrade.com

DYNABRADE, INC., 8989 Sheridan Drive • Clarence, NY 14031-1490 • Phone: (716) 631-0100 • Fax: 716-631-2073 • International Fax: 716-631-2524
DYNABRADE EUROPE S.à.r.l., Zone Artisanale • L-5485 Wormeldange—Haut, Luxembourg • Telephone: 352 76 84 94 1 • Fax: 352 76 84 95 1

©DYNABRADE, INC., 2001

PRINTED IN USA