

# Dynisher

## Models:

**50730 – Standard Duty**

**50760 – Versatility Kit**

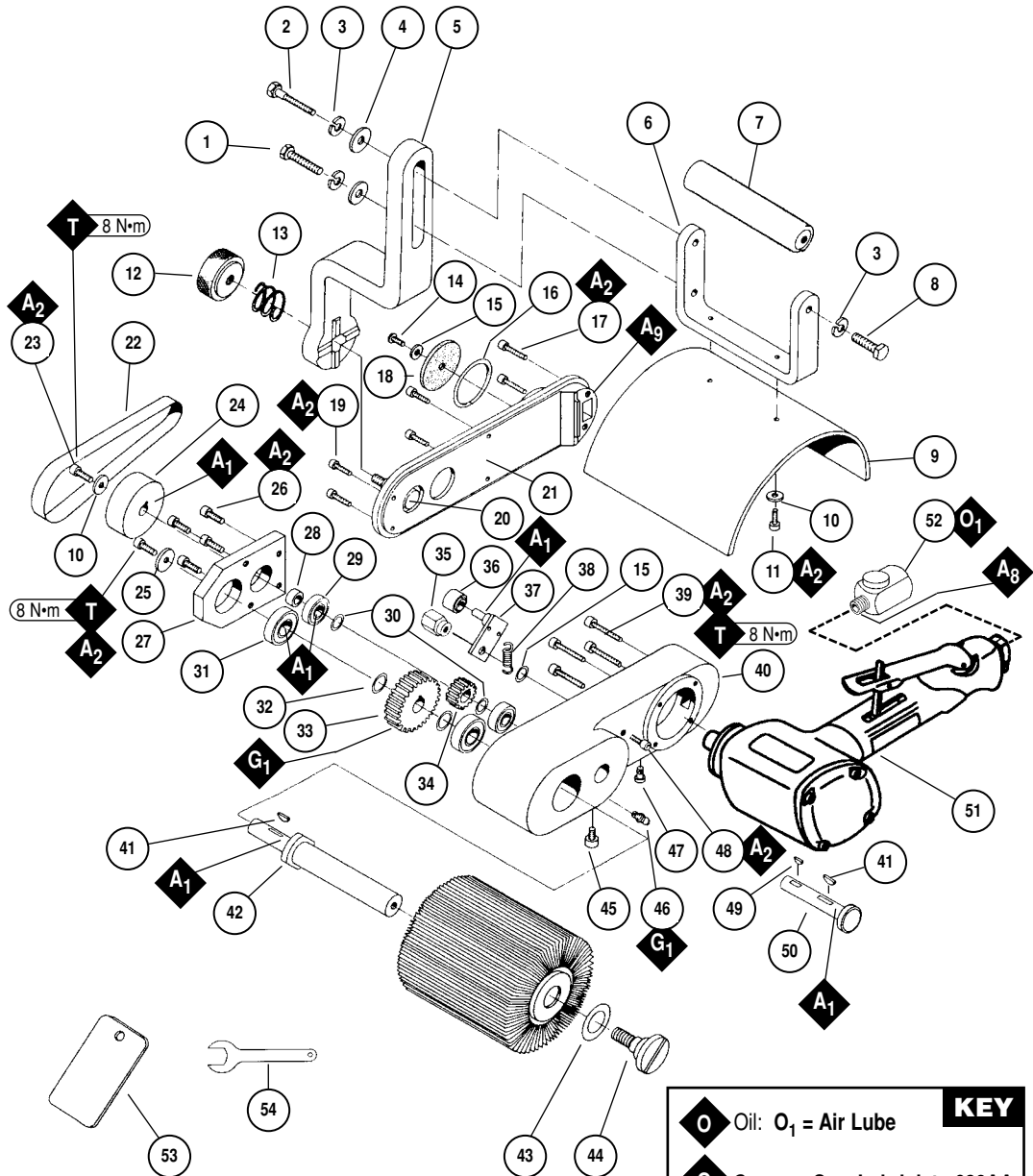
*Machine and Motor Parts.*

## ! WARNING

Always operate, inspect and maintain this tool in accordance with the Safety Code for portable air tools (ANSI B186.1) and any other applicable safety codes and regulations. Please refer to Dynabrade's Warning/Safety Operating Instructions for more complete safety information.

### Index Key

No.	Part #	Description
1	95179	Bolt
2	95023	Bolt
3	95167	Washer (3)
4	95166	Washer (2)
5	50733	Handle Bracket
6	50734	U Handle Bracket
7	50753	Handle Grip Assembly (Incl. 50752 Rod, 95169 Grip)
8	95158	Bolt
9	50749	Wheel Guard
10	95227	Washer (3)
11	95207	Screw (2)
12	50745	Handle Locking Nut
13	95594	Spring
14	95405	Screw
15	95146	Washer (2)
16	95407	O-Ring
17	95309	Screw (2)
18	50748	Silencer
19	95168	Screw (4)
20	50744	Handle Mounting Stud
21	50732	Cover
22	95350	Drive Belt
23	95178	Screw
24	50740	Driven Pulley
25	95364	Washer
26	95210	Screw (5)
27	50743	Bearing Plate
28	50741	Spacer
29	50722	Bearing (2)
30	95446	Washer (2)
31	11813	Bearing (2)
32	95447	Washer (2)
33	50762	Driven Gear
34	50761	Drive Gear
35	50766	Nut
36	11013	Bearing
37	50759	Tension Arm
38	50747	Tension Spring
39	95515	Screw (4)
40	50731	Housing
41	95365	Woodruff Key (2)
42	50736	Wheel Arbor
43	50716	Washer
44	50737	Arbor Locking Screw
45	95406	View Port Screw
46	95097	Grease Fitting
47	50751	Spring Mount
48	95163	Screw
49	95368	Woodruff Key
50	50763	Drive Gear Shaft
51	07101	Air Motor
52	95746	Air Regulator
53	50719	Wheel Wrench
54	50679	Wrench



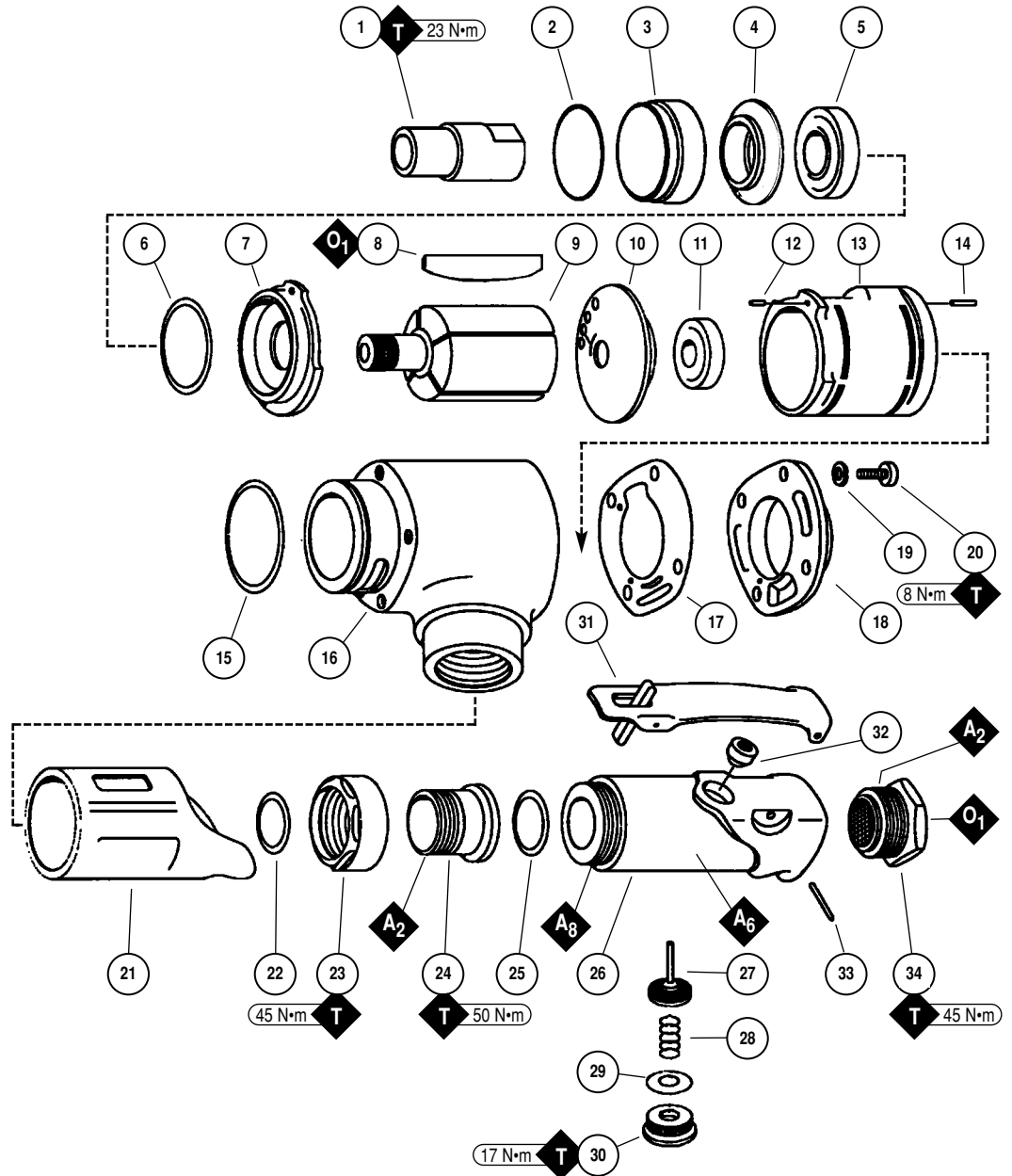
KEY	
<b>O</b>	Oil: O <sub>1</sub> = Air Lube
<b>G</b>	Grease: G <sub>1</sub> = Lubriplate 630AA
<b>A</b>	Adhesive: A <sub>1</sub> = Loctite #609 A <sub>2</sub> = Loctite #271 A <sub>6</sub> = Loctite #380 A <sub>8</sub> = Loctite #567 A <sub>9</sub> = Loctite #587
<b>T</b>	Torque: N•m x 8.85 = In. - lbs.

See reverse side for Air Motor Assembly.

## 07101 Air Motor

### Index Key

No.	Part #	Description
1	50757	Drive Pulley
2	95584	O-Ring
3	01687	Air Deflector
4	07153	Air Control Ring
5	01036	Bearing
6	01277	Shim Pack (3/Pkg.)
7	07119	Bearing Plate
8	07107	Blade (5/Pkg.)
9	07103	Rotor
10	07114	Bearing Plate
11	01007	Bearing
12	01673	Guide Pin
13	07118	Cylinder
14	01775	Guide Pin
15	95407	O-Ring
16	07131	Housing
17	07129	Gasket
18	07122	Housing Cap
19	01791	Washer (4)
20	01790	Screw (4)
21	07136	Handle Grip
22	02658	Packing
23	02631	Nut
24	02626	Adjustment Bushing
25	01746	O-Ring
26	07141	Valve Body (Incl. 07142 Bushing)
27	07168	Valve Stem Assembly
28	07145	Spring
29	07146	Packing
30	07147	Plug
31	01089	Lever
32	07142	Bushing
33	01017	Pin
34	01660	Inlet Bushing



KEY	
<b>O</b>	Oil: O <sub>1</sub> = Air Lube
<b>A</b>	Adhesive: A <sub>2</sub> = Loctite #271 A <sub>6</sub> = Loctite #380 A <sub>8</sub> = Loctite #567
<b>T</b>	Torque: N·m x 8.85 = In. - lbs.

## Important Operating, Maintenance and Safety Instructions

Carefully read all instructions before operating or servicing any Dynabrade® Abrasive Power Tool.

**Warning:** Hand, wrist and arm injury may result from repetitive work motion and overexposure to vibration.

**Important:** All Dynabrade Rotary Vane air tools must be used with a Filter-Regulator-Lubricator to maintain all warranties.

### Operating Instructions:

**Warning:** Eye, face, respiratory, sound and body protection must be worn while operating power tools. Failure to do so may result in serious injury or death. Follow safety procedures posted in workplace.

1. With power source disconnected from tool, securely fasten abrasive/accessory on tool.
2. Install air fitting into inlet bushing of tool. **Important:** Secure inlet bushing of tool with a wrench before attempting to install the air fitting to avoid damaging valve body housing.
3. Connect power source to tool. Be careful **not** to depress throttle lever in the process.
4. Check tool speed with tachometer. If tool is operating at a higher speed than the RPM marked on the tool or operating improperly, the tool should be serviced to correct the cause before use.

### Maintenance Instructions:

1. Check tool speed regularly with a tachometer. If tool is operating at a higher speed than the RPM marked on the tool, the tool should be serviced to correct the cause before use.
2. Some silencers on air tools may clog with use. Clean and replace as required.
3. All Dynabrade Rotary Vane air motors should be lubricated. Dynabrade recommends one drop of air lube per minute for each 10 SCFM (example: if the tool specifications state 40 SCFM, set the drip rate of your filter-lubricator at 4 drops per minute). Dynabrade Air Lube (P/N **95842**: 1pt. 473ml.) is recommended.
4. An Air Line Filter-Regulator-Lubricator must be used with this air tool to maintain all warranties. Dynabrade recommends the following: **11411** Air Line Filter-Regulator-Lubricator — Provides accurate air pressure regulation, two-stage filtration of water contaminants and micro-mist lubrication of pneumatic components. Operates 55 SCFM @ 100 PSIG has 1/2" NPT female ports.
5. Thoroughly wipe clean **95097** Grease Fitting and **95406** View Port Screw to prevent dirt and abrasive material from entering gear case. Remove the **95406** View Port Screw and supply two full plunges every 300 hours using **95542** Grease and **95541** Grease gun. **Note: Do not over grease!** Connect tool to the air supply and run the tool to allow excess grease to be relieved through the view port screw hole opening. Install **95406** View port Screw.
6. Use only genuine Dynabrade replacement parts. To reorder replacement parts, please specify the **Model #**, **Serial #** and **RPM** of your machine.
7. A Motor Tune-Up Kit (P/N **96011**) is available which includes assorted parts to help maintain motor in peak operating condition.
8. Mineral spirits are recommended when cleaning the tool and parts. Do not clean tool or parts with any solvents or oils containing acids, esters, ketones, chlorinated hydrocarbons or nitro carbons.

### Safety Instructions:

Products offered by Dynabrade should not be converted or otherwise altered from original design without expressed written consent from Dynabrade, Inc.



- **Important:** User of tool is responsible for following accepted safety codes such as those published by the American National Standards Institute (ANSI).
- Operate machine for one minute before application to workpiece to determine if machine is working properly and safely before work begins.
- Always disconnect power supply before changing abrasive/accessory or making machine adjustments.
- Inspect abrasives/accessories for damage or defects prior to installation on tools.
- Please refer to Dynabrade's Warning/Safety Operating Instructions Tag (Reorder No. **95903**) for more complete safety information.
- **Warning:** Hand, wrist and arm injury may result from repetitive work, motion and overexposure to vibration.

### Notice

All Dynabrade motors use the highest quality parts and metals available and are machined to exacting tolerances. The failure of quality pneumatic motors can most often be traced to an unclean air supply or the lack of lubrication. Air pressure easily forces dirt or water contained in the air supply into motor bearings causing early failure. It often scores the cylinder walls and the rotor blades resulting in limited efficiency and power. Our warranty obligation is contingent upon proper use of our tools and cannot apply to equipment which has been subjected to misuse such as unclean air, wet air or a lack of lubrication during the use of this tool.

### One Year Warranty

Following the reasonable assumption that any inherent defect which might prevail in a product will become apparent to the user within one year from the date of purchase, all equipment of our manufacture is warranted against defects in workmanship and materials under normal use and service. We shall repair or replace at our factory, any equipment or part thereof which shall, within one year after delivery to the original purchaser, indicate upon our examination to have been defective. Our obligation is contingent upon proper use of Dynabrade tools in accordance with factory recommendations, instructions and safety practices. It shall not apply to equipment which has been subject to misuse, negligence, accident or tampering in any way so as to affect its normal performance. Normally wearable parts such as bearings, contact wheels, rotor blades, etc., are not covered under this warranty.

Machine Number	Length Inch (mm)	Height Inch (mm)	Weight Pound (kg)	Wheel Arbor (Dia. x Length)	Air Flow Rate SCFM (LPM)	Sound Level	Motor HP (W)	Max. SFPM RPM	Air Pressure PSIG (Bars)
<b>50730</b>	18" (457)	8-1/2" (216)	10.5 lbs. (4.8)	3/4" (19) x 4" (102)	58 (1,643)	93 dBA	1.02 (761)	3,930 (1,197)	90 (6.2)

**Additional Specifications:** Height 10-3/4" (273 mm) • Air Inlet Thread 3/8" NPT • Hose I.D. Size 1/2" (15 mm)

## Accessories

### Abrasive Impregnated Non-Woven Nylon Wheels 6" Dia. x 4" Wide; 3/4" Center Hole. Unit = 1 Wheel

Part No.	Type	Grade	Comments
90670	Metal-Finishing	Coarse	General metals finishing.
90864	Multi-Finishing	Medium	Final stainless finishing.

### Coated Abrasive Aluminum Oxide Flap Wheels 4" Dia. x 4" Wide; 3/4" Center Hole. Unit = 10 Wheel

Part No.	Grit	Part No.	Grit	Part No.	Grit
90850	40	90851	80	90852	120

### Cotton Polishing Wheels

4" Dia. x 1/2" Wide; 3/4" Center Hole

Part No.	Quantity Per Pkg.
90024	1
90025	8

**Note:** Eight wheels mount to Dynisher with two 95408 Spacers. Order spacers separately.

### Wool Buffing Belts

Part No.	Belt Size	Qty. / Unit
90003	3" x 10-11/16"	2
90004	2-3/4" x 15-1/2"	2
90005	3-1/2" x 15-1/2"	2

## Lubricating Procedure

1. Thoroughly wipe clean 95097 Grease Fitting and 95406 View Port Screw to prevent dirt and abrasive material from entering gear case.
2. Remove view port screw and supply two full plunges every 300 hours using 95542 Grease and 95541 Grease Gun. **Note: Do not over grease.**
3. Connect tool to the air supply and run the tool to allow excess grease to be relieved through the view port screw hole opening.
4. Install 95406 View Port Screw.

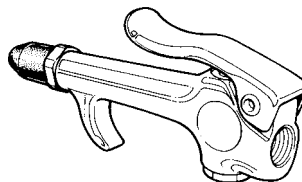
### Dynacushion Pneumatic Wheels. Unit = 10 Wheels

Part No.	Arbor Hole	Rubber Wheel Only	Belt Size (Wide x Long)	Max. RPM
94473	3/4" Bore	94481	3-1/2" x 15-1/2"	3,500

### 94478 Pneumatic Wheel Kit

- 94473 Dynacushion.
- 50750 Mounting Spacers (2).
- 90273 Aluminum Oxide Belt (80-grit).
- 90283 Non-Woven Nylon Belt (coarse).

*A Must with the Dynacushion!*



### 94465 Wheel Inflation Tool

- Controlled inflation / deflation of pneumatic wheel.
- Has 1/4" female thread; fits 1/4" air hose.

### Dynacushion Belts

3-1/2" Wide x 15-1/2" Long. Unit = 50 Belts  
Non-Woven Nylon Abrasive Impregnated Belts

Part No.	Grade/Grit Range	Part No.	Grade/Grit Range
90014	Super Fine/320-600	90282	Medium/150-180
90281	Very Fine/220-320	90283	Coarse/80-150

### Coated Abrasive Aluminum Oxide Belts

Part No.	Grit	Part No.	Grit
90271	36	90274	100
90272	60	90275	120
90273	80	90277	180

### Ceramic Coated Aluminum Oxide Belt

Part Number	Grit
90271	36

**IMPORTANT:** ALL DYNABRADE AIR TOOLS MUST BE USED WITH A FILTER-REGULATOR-LUBRICATOR TO MAINTAIN ALL WARRANTIES



### Dynabrade Air Lube

- Formulated for pneumatic equipment.
- Absorbs up to 10% of its weight in water.
- Prevents rust and formation of sludge.
- Keeps pneumatic tools operating longer with greater power and less down time.

95842: 1pt. (473 m)

95843: 1 gal. (3.8L)



### 95542 Grease 10 oz.

- Multi-purpose grease for all types of bearings, cams, gears.
- High film strength; excellent resistance to water, steam, etc.
- Workable range 0° F to 300° F.

### 95541 Push-type Grease Gun

- One-hand operation.



Visit our new Web Site: [www.dynabrade.com](http://www.dynabrade.com)

Email: [Customer.Service@Dynabrade.com](mailto:Customer.Service@Dynabrade.com)

**DYNABRADE, INC.,** 8989 Sheridan Drive • Clarence, NY 14031-1490 • Phone: (716) 631-0100 • Fax: 716-631-2073 • International Fax: 716-631-2524  
**DYNABRADE EUROPE S.à.r.l.,** Zone Artisanale • L-5485 Wormeldange—Haut, Luxembourg • Telephone: 352 76 84 94 1 • Fax: 352 76 84 95 1

©DYNABRADE, INC., 2001

PRINTED IN USA