

For Serial No. 1766 and Higher

Parts Page Reorder No. PD00•63
Effective July, 2000
Supercedes PD90•32

VirtuScaler

Air Motor and Machine Parts

Model:
31600 — 3" Floor Model

WARNING

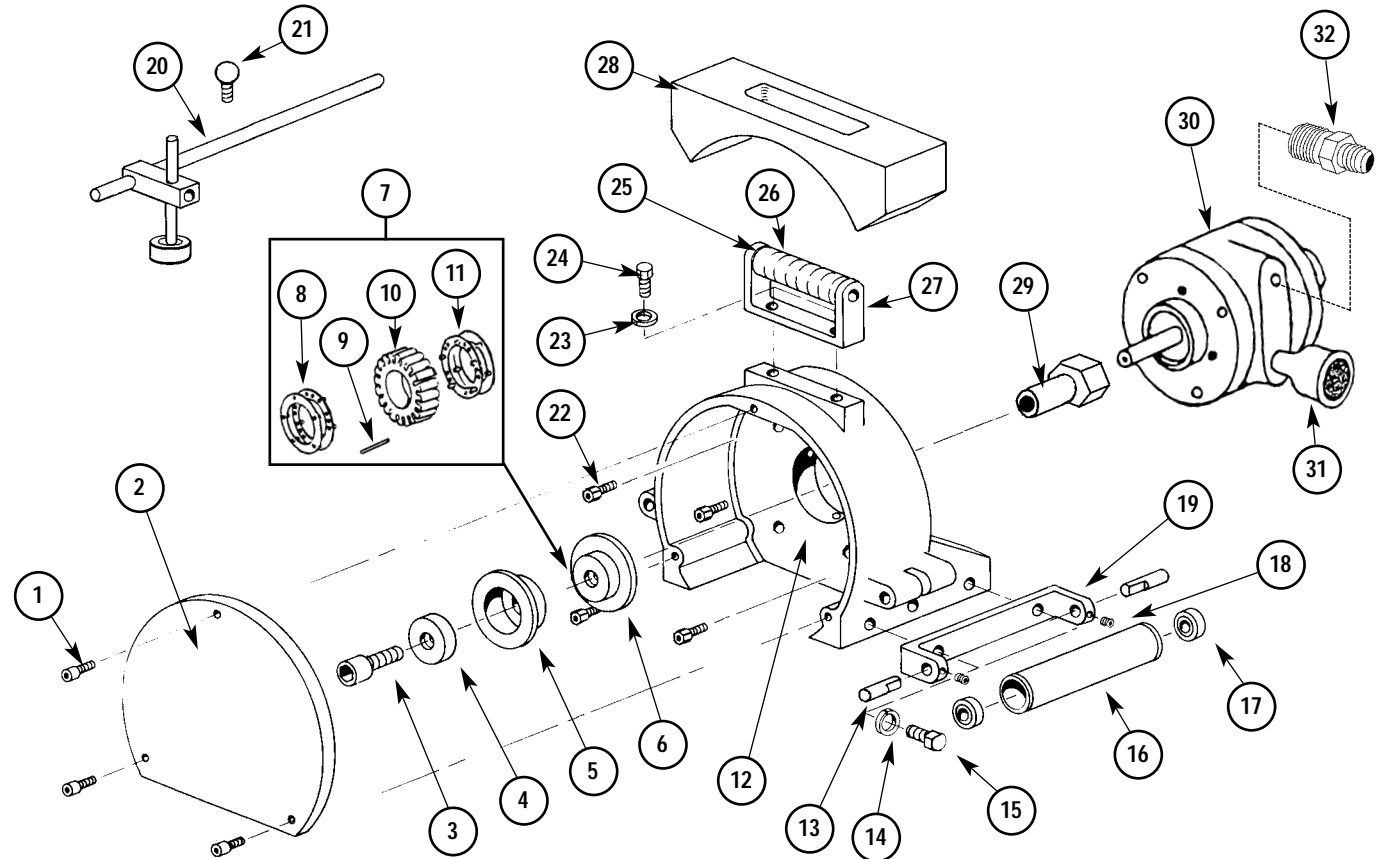
Always operate, inspect and maintain this tool in accordance with the Safety Code for portable air tools (ANSI B186.1) and any other applicable safety codes and regulations. Please refer to Dynabrade's Warning/Safety Operating Instructions for more complete safety information.

Index Key

No. Part # Description

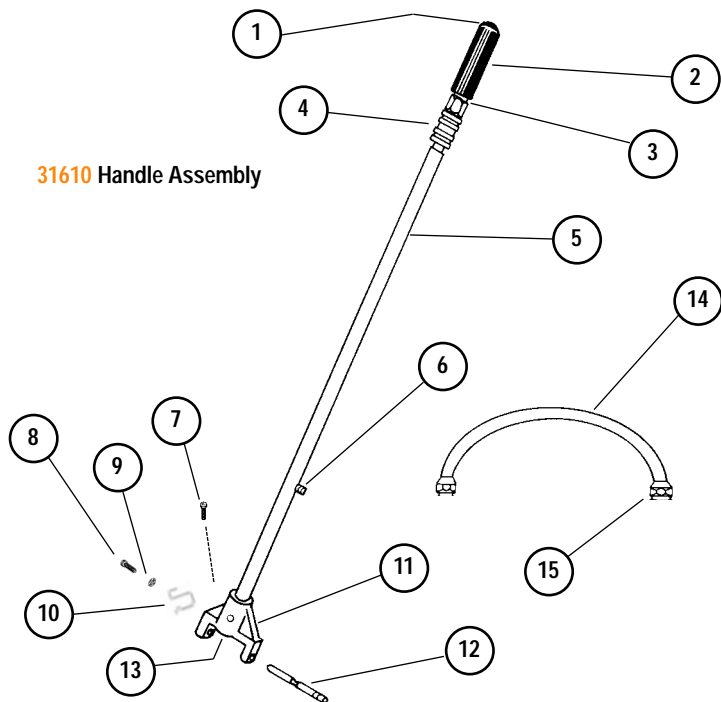
1	97007	Screw (3)	18	95178	Screw (4)
2	32002	Housing Cover	19	31601	Bracket (2)
3	95715	Screw	20	31620	Edge Guide Assy.
4	31010	Washer	21	95039	Thumb Screw (2)
5	31009	Flange	22	95182	Bolts (4)
6	31013	Flange	23	95167	Lock Washer (2)
7	39030	Wheel Assembly	24	95158	Bolt (2)
8	39011A	Short Ring	25	31100	Handle Assembly (Incl. #23, 24, 26, 27 and 31102 Handle Rod)
9	33043	3" Keeper Pin (20)	26	95169	Sponge Grip
10	39032	3" Hub	27	31101	U Handle
11	39011B	Long Ring	28	95195	25 lbs. Weight
12	32001	Housing	29	32003	Wheel Arbor
13	31005	Cam (4)	30	01049	Motor
14	95167	Lock Washer (4)	31	32100	Muffler
15	95179	Bolt (4)	32	95828	Adapter
16	31004	Roller (2)			
17	31006	Bearing (4)			

Please Indicate:
Model #, Serial #, and RPM when ordering replacement parts.
Use only genuine Dynabrade replacement parts.

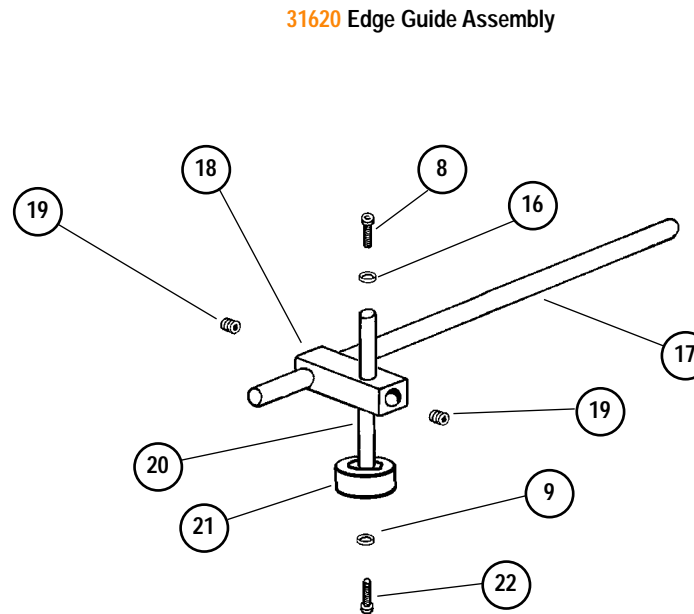


Machine Number	Length Inch (mm)	Weight Pounds (kg)	Spindle Thread	Roto-Peen Size Inch (mm)	Air Flow Rate SCFM (LPM)	Sound Level	Motor HP (W)	RPM (Loaded)	Air Pressure PSI (Bars)
31600	8-3/4" (222)	54 lbs. (24.5)	1/2"-20 male	3" (76.2)W	279 (7,900)	94 dBA	4 (3,000)	1,650	60 (4.1)

Additional Specifications: Height 11" (279 mm) • Air Inlet Thread 3/8" (9 mm) NPT • Hose I.D. Size 1/2" (13 mm)



31610 Handle Assembly



31620 Edge Guide Assembly

Index Key		
No.	Part	Description
1	95825	Handle Rod
2	95169	Handle Grip
3	95081	Nipple
4	32004	Slide Valve
5	95836	Handle Rod
6	95827	Coupler
7	95012	Screw
8	95207	Screw (2)
9	95146	Washer (2)
10	95196	Spring Clip
11	33007	Handle Mount
12	33006	Handle Pin
13	95561	Plug
14	95100	16" Hose
15	95095	Swivel Fitting (2)
16	95227	Washer
17	31603	Guide Rod
18	31604	Guide Block
19	95177	Screw (2)
20	31605	Guide Post
21	95057	Guide Wheel
22	95010	Screw

Important Instructions

Carefully read all instructions before operating or servicing any Dynabrade® Abrasive Power Tool.

Warning: Hand, wrist and arm injury may result from repetitive work motion and overexposure to vibration. Eye, face, respiratory, sound and body protection must be worn while operating power tools. Failure to do so may result in serious injury or death. Follow safety procedures posted in workplace.

Important: All Dynabrade air tools must be used with a Filter-Regulator-Lubricator to maintain all warranties. Dynabrade recommends one drop of air lube per minute for each 10 SCFM. Dynabrade Air Lube (P/N 95842: 1pt. 473ml.) is recommended.

- Check tool speed with tachometer. If tool is operating at a higher speed than the RPM marked on the tool or operating improperly, the tool should be serviced to correct the cause before use.
- Mineral spirits are recommended when cleaning the tool and parts. Do not clean tool or parts with any solvents or oils containing acids, esters, ketones, chlorinated hydrocarbons or nitro carbons.

Safety Instructions:



- **Important:** User of tool is responsible for following accepted safety codes such as those published by the American National Standards Institute (ANSI).
- Operate machine for one minute before application to workpiece to determine if machine is working properly and safely before work begins.
- Always disconnect power supply before changing abrasive/accessory or making machine adjustments.
- Inspect abrasives/accessories for damage or defects prior to installation on tools.
- Please refer to Dynabrade's Warning/Safety Operating Instructions Tag (Reorder No. 95903) for more complete safety information.
- **Warning:** Hand, wrist and arm injury may result from repetitive work, motion and overexposure to vibration.

Visit our Web Site: www.dynabrade.com

Email: Customer.Service@Dynabrade.com



DYNABRADE, INC., 8989 Sheridan Drive • Clarence, NY 14031-1490 • Phone: (716) 631-0100 • Fax: 716-631-2073 • International Fax: 716-631-2524
 DYNABRADE EUROPE S.à.r.l., Zone Artisanale • L-5485 Wormeldange—Haut, Luxembourg • Telephone: 352 76 84 94 1 • Fax: 352 76 84 95 1

©DYNABRADE, INC., 2000

PRINTED IN USA