

96011 Tune-Up Kit

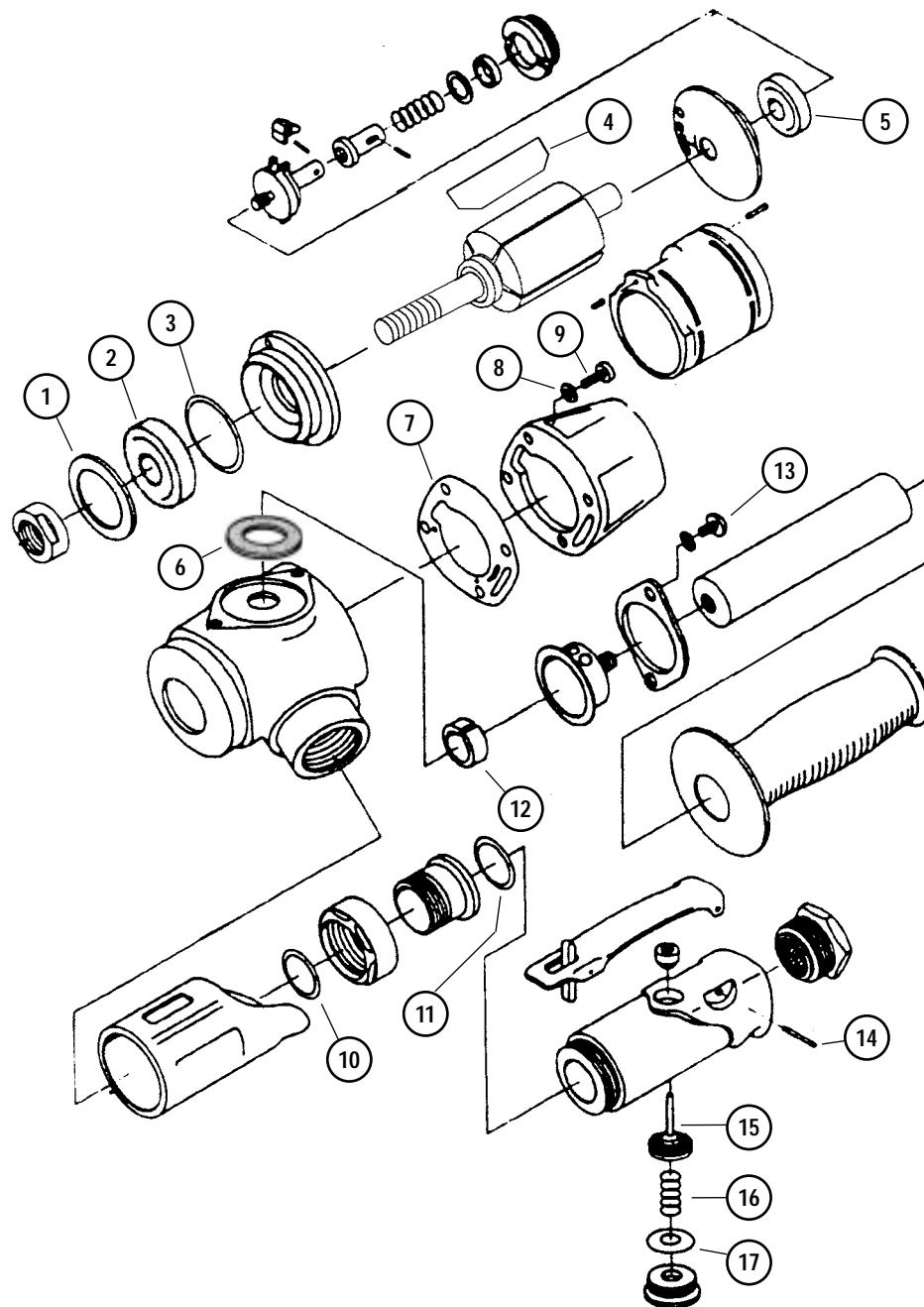
For Use With All:
1.2 Hp/Vertical Models

Air Motor

Parts included in tune-up kit are identified by part number. Not all parts are required for all tools.
Please refer to appropriate parts page for additional identification and disassembly/assembly instructions.

Index Key

No.	Part #	Description
1	07158	Spacer
2	02552	Bearing
3	01277	Shim Pack (3/pkg.)
4	07107	Blade (5/pkg.)
5	01007	Bearing
6	96304	Gasket
7	07129	Gasket
8	01791	Washer (4)
9	01790	Screw (4)
10	02658	Packing
11	01746	O-Ring
12	01798	Felt Silencer
13	50511	Screw (2)
14	01017	Pin
15	07168	Valve Stem Assembly
16	07145	Spring
17	07146	Packing



IMPORTANT:

The regular maintenance of any air tool will contribute to greater efficiency of tool and will prolong tool life. This kit contains replacement parts which are most susceptible to wear. An air tool may wear differently according to the application and operator. It is, therefore, recommended that while the tool is disassembled, all other parts not included in this kit be examined for excessive wear and be replaced as required.

NOTICE: Manufacturer's warranty is void if tool is disassembled before warranty expires.

(See reverse side for additional models)

For 1.2 Hp Motors **07100**, **07101** and **07102**

Index Key

No. Part # Description

1	95584	O-Ring
2	01036	Bearing
3	01277	Shim (3/pkg.)
4	07107	Blades (5) (5/pkg.)
5	01007	Bearing
6	07129	Gasket
7	01791	Washer (4)
8	01790	Screw (4)
9	02658	Packing
10	01746	O-Ring
11	07168	Valve Stem Assembly
12	07145	Spring
13	07146	Packing
14	01017	Pin

For Older Vintage Tools

Part # Description

07117	Blades (5/Pkg.)
07121	Key

