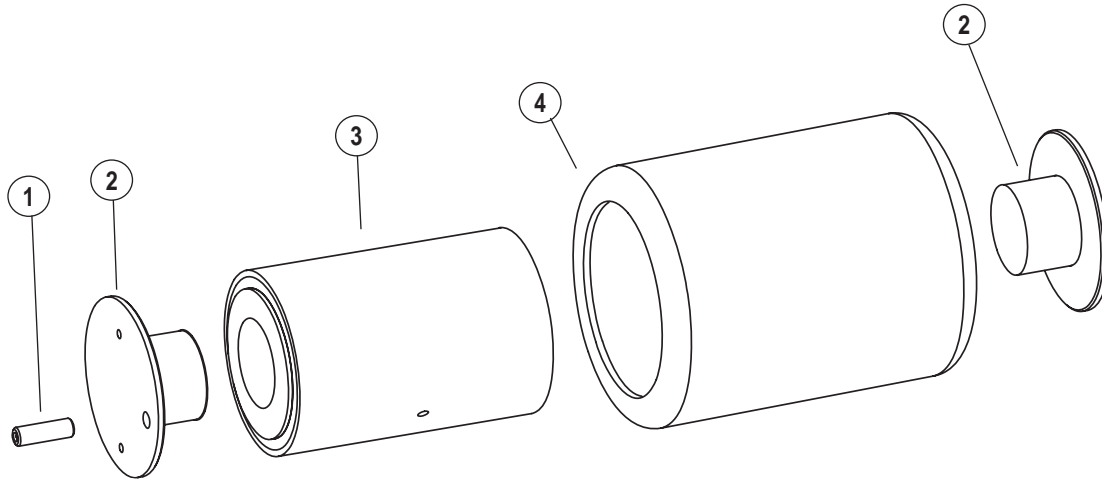


Aluminum Dynacushion®

Effective April, 2009

Model:
92858

Accessories - Complete Part Assembly



Inflate Dynacushion to 20 PSI maximum.

Index Key

No.	Part #	Description
1	94489	Valve
2	98071	Threaded End Plates (2)
3	98070	Hub
4	94433	Wheel

Optional Accessories



94465 Wheel Inflation Tool

- Controlled inflation/deflation of pneumatic wheel.
- Has 1/4" female thread; fits 1/4" air hose.
- 95633 Nozzle replacement available.



98130 Air Chuck

- Controlled inflation for hard-to-reach valve assemblies.